



VTU-20 UAT ADS-B Transmitter – Airport Vehicle Tracking System

Overview

Ground vehicle incursions into critical safety and movement areas on airport surfaces is on the rise. uAvionix’s Vehicle Tracking Unit (VTU -20) minimizes this risk by using a Federal Aviation Administration (FAA) approved, vehicle-mounted Automatic Dependent Surveillance – Broadcast (ADS-B) transmitter that continually broadcasts a vehicle’s location. The transmitter can be permanently or magnetically mounted to all airside vehicles, including utility, emergency, snow-removal, and maintenance equipment. Each vehicle is clearly and uniquely identified, providing an essential addition to any surface movement guidance and control system.

The design of VTU-20 ensures easy installation, integration and interoperability with Airport Surface Detection Equipment, Model X (ASDE-X), Airport Surface Surveillance Capability (ASSC), or ADS-B receiver surveillance solutions for airport surface control and situational awareness. The all-in-one external design includes a 20W Universal Access Transceiver (UAT) transmitter, internal certified Global Positioning System (GPS) and integrated antennas.

A single cable connection provides both power and data to the rugged enclosure which attaches using a magnetic or permanent mechanical mount, reducing installation time and vehicle modifications. The provided software application allows vehicle configuration and uploading of squitter transmission maps.

VTU-20 is available exclusively through L3Harris for distribution to airports in the United States. For other inquiries, please contact airports@uavionix.com.

uAvionix VTU-20



Squitter Transmission Maps



VTU-20 uses FAA approved Squitter Transmit Maps to automatically enable and disable transmission based on its location on the airfield.



uAvionix reserves the right to alter product, services offerings, specifications, and pricing at any time without notice.

© Copyright 2019 uAvionix, all rights reserved. www.uavionix.com

UAV-1003655-001



14 Odem ST. P.O.B. 7042 Petach Tikva 4917001, ISRAEL | Office: +972-3-924-3352

Fax: +972-3-9243385 | sales@hypertech.co.il | www.hypertech.co.il



VTU-20 UAT ADS-B Transmitter – Airport Vehicle Tracking System

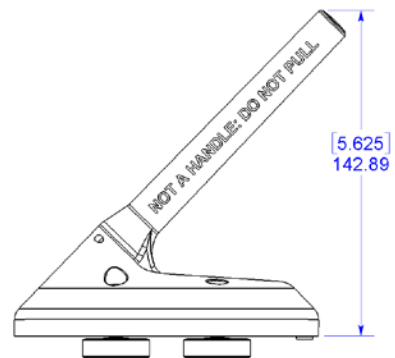
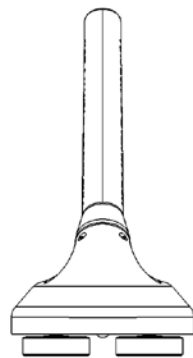
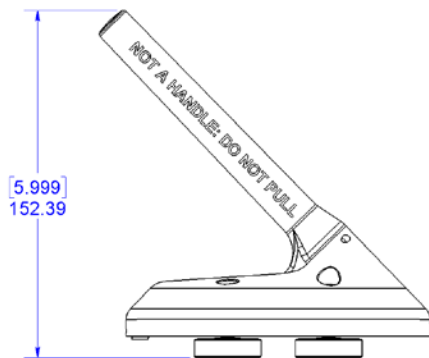
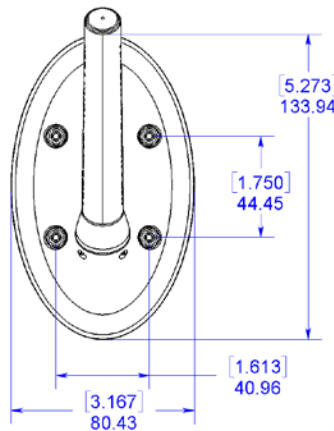
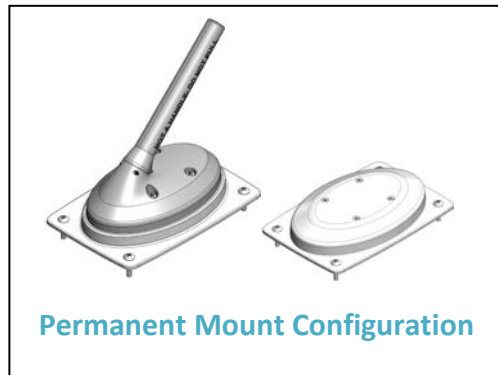
Specifications

| | |
|----------------------------------|--|
| Transmit Message Type | Identification, Surface Position and Operational Status Messages |
| Transmit Power | 20 Watts Nominal |
| Transmit Frequency | 978 MHz |
| Vehicle ID | Field configurable |
| 24-bit ICAO ID | Field configurable |
| Operating Temperature | -45° to +80 °C |
| Input Power | 9V to 32 Volts DC, 1.5 Watts |
| Size (mm) | 134x138x80 |
| Squitter Transmission Map | Field configurable |

Features

- Externally mounted, minimal footprint
- FAA approved under U.S. FAA-E-3032, Vehicle (ADS-B) Specification
- Internally integrated FAA Technical Standard Order (TSO) -C145e Class B1 GPS
- Easy PC configuration and squitter map loading for inclusion and exclusion of transmission regions
- In-cab control panel for status and manual on/off control
- Installation kit options for temporary or permanent mounting, allowing for reuse across seasonal vehicles

Mechanical Specification



uAvionix reserves the right to alter product, services offerings, specifications, and pricing at any time without notice.

© Copyright 2019 uAvionix, all rights reserved. www.uavionix.com

UAV-1003655-001



14 Odem ST. P.O.B. 7042 Petach Tikva 497001, ISRAEL | Office: +972-3-924-3352
 Fax: +972-3-9243385 | sales@hypertech.co.il | www.hypertech.co.il