

# Indoor Directional Antenna Ceiling Mount

IXD-120V06N0-03 VPol, 806-960/1710-2500, 120°, 6dBi



## Technical Specifications

### Electrical

Frequency Range	MHz	806-960	1710-2500
Polarization		Vertical	
Gain	dBi	6	
Horizontal Beamwidth	deg	120	
Vertical Beamwidth	deg	100-120	
VSWR		≤ 1.5:1	
Power Handling	W	100	
Impedance	Ω	50	

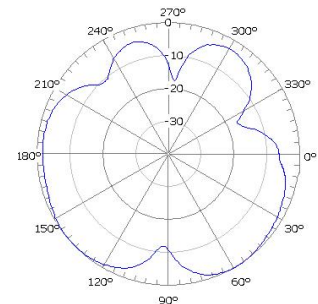
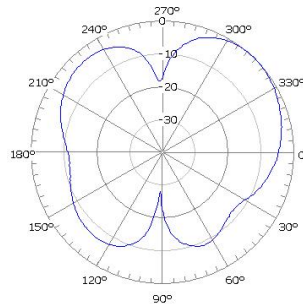
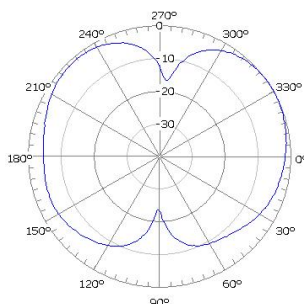


### Mechanical

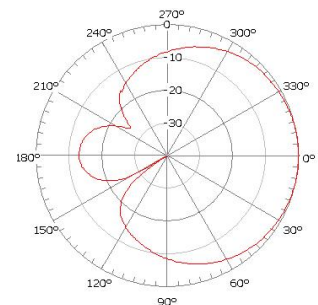
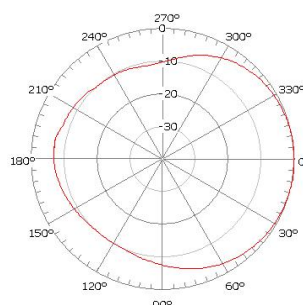
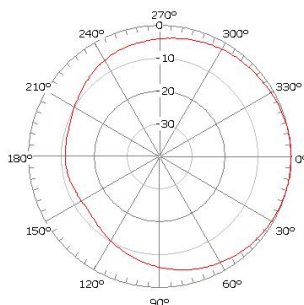
Dimensions, HxDia	mm (in)	170x70 (6.7x2.8)	
Weight	kg(lb)	0.5 (1.1)	
Radome Material and Color		PS, Light Grey/ Semi-transparent	
Mount		Ceiling	
Reflector Material		Aluminum	
Radiating Element Material		Aluminum	
Connector Type		N-Female	
Environmental Class		Indoor	
Shipping Dimensions, HxWxD	mm (in)	176x176x152 (6.9x6.9x6.0)	
Shipping Weight	kg (lb)	0.6 (1.3)	

## Antenna Pattern

Vertical pattern



Horizontal pattern



1880MHz

2170MHz

2500MHz

רח' אודם 14, ת.ד. 7042 פ"ת ▪ טל: 03-9243352 ▪ פקס: 03-9243358  
[www.hypertech.co.il](http://www.hypertech.co.il) ▪ [sales@hypertech.co.il](mailto:sales@hypertech.co.il)

