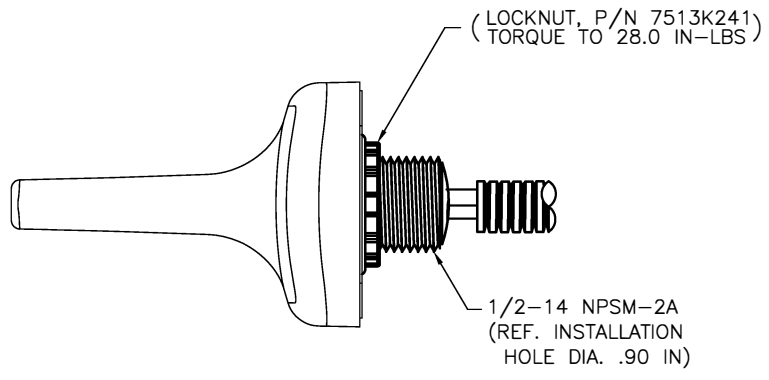
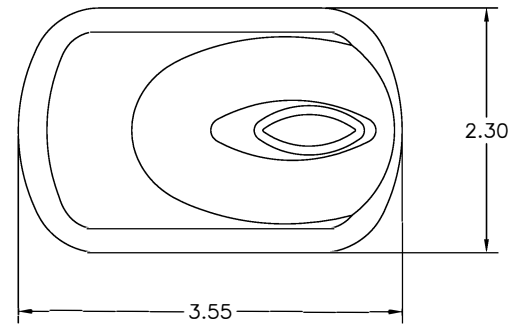


REVISED BY: C. FRANTZIDES	DATE: 04/19/13	REVISIONS	
SYM	DESCRIPTION	DATE	APPROVED
A	PRODUCTION RELEASED PER ECO10698	05/24/13	

- NOTES: UNLESS OTHERWISE SPECIFIED.
- 1 NAMEPLATE AND E AND CE MARKING LABEL LOCATED APPROXIMATELY WHERE SHOWN.
 - 2 O-RING AND LOCKNUT SUPPLIED BY AAT.
 - 3. TOLERANCES: .XX = ±.03
.XXX = ±.010

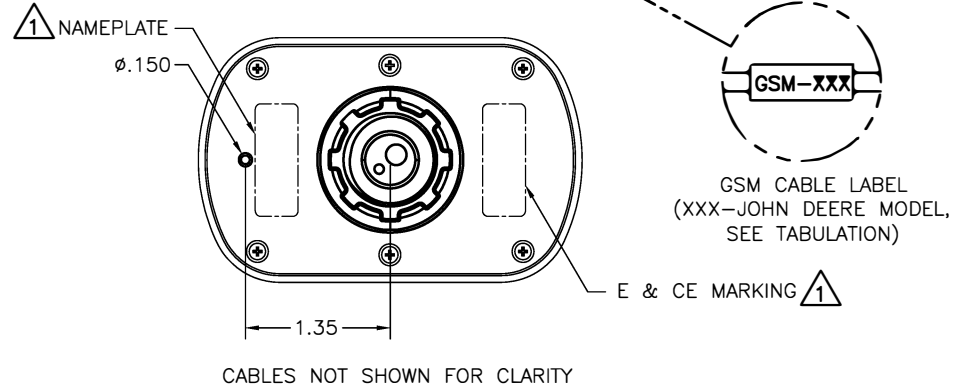
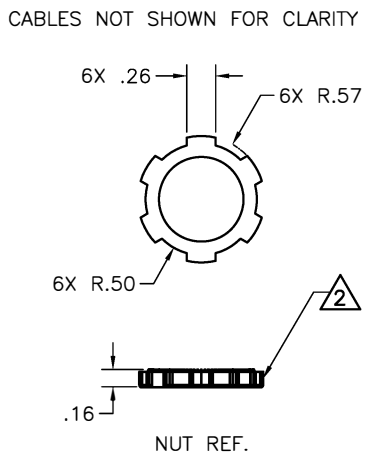
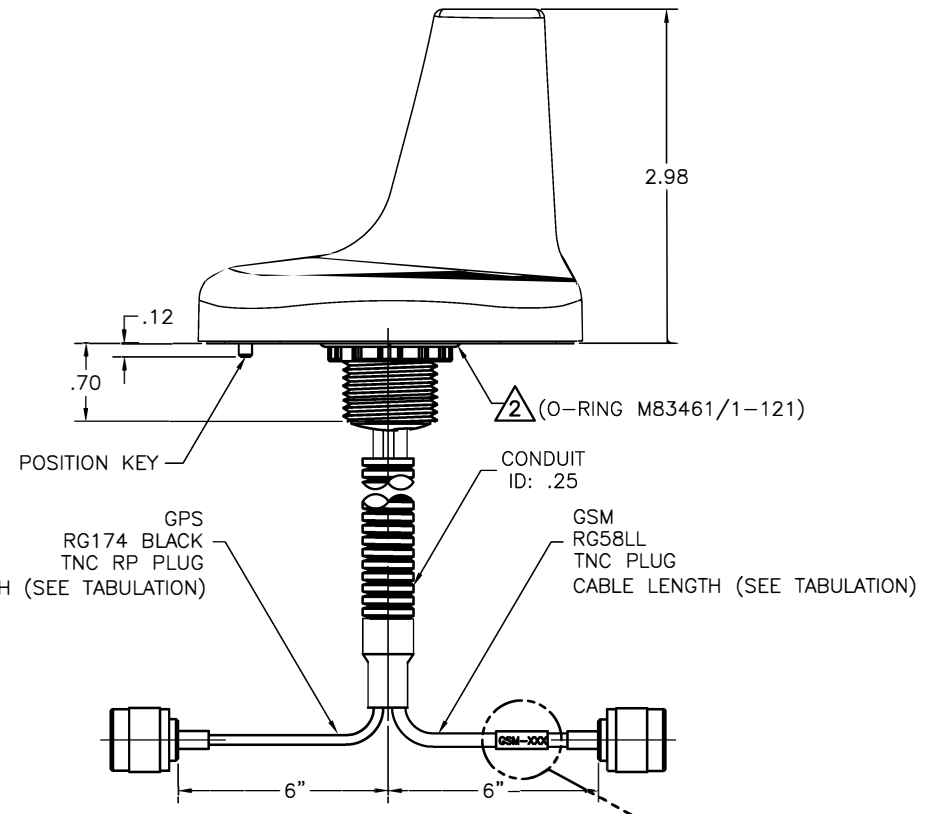


SPECIFICATION:
GPS PERFORMANCE

- FREQUENCY: 1575 ±2 MHz
- POLARIZATION: RIGHT HAND CIRCULAR
- AXIAL RATIO: 3 dB MAX @ BORESIGHT
- AMPLIFIER: GPS L1: 26 ±2 dB
- GAIN: GPS L1: 3.1VDC ± 10%
- VOLTAGE: 5-50 mA
- CURRENT: 2.0dB MAX
- NOISE FIGURE: 50 OHMS
- IMPEDANCE: ≤2.0:1
- VSWR: 1 WATT
- POWER HANDLING: TNC PLUG, REVERSE POLARITY
- CONNECTOR: 1.1 LBS (FOR 18' CABLE)
- WEIGHT: -40°C TO +85°C
- OPERATING TEMP: DO-160E
- DESIGNED TO:

GSM PERFORMANCE

- FREQUENCY: 824-894 MHz (GSM 850)
876-960 MHz (GSM 900)
1710-1880 MHz (GSM 1800)
1850-1990 MHz (GSM 1900)
- VSWR: 2.0:1 MAXIMUM
- IMPEDANCE: 50 OHMS
- GAIN: -3dBic MINIMUM @ 90-DEG. ELEVATION
- POWER HANDLING: 2 WATTS
- CONNECTOR: TNC PLUG
- POLARIZATION: VERTICAL
- GSM INPUT VALUE: 3.3K OHM ±5% MAX.



JOHN DEERE MODEL	AAT MODEL	CABLE LENGTH
PFP13243	AT8075-41S-TNCRM-P-TNCM-216-RG-26-NM-R	216 IN. (18 FEET)

DO NOT SCALE THIS DRAWING REMOVE BURRS AND BREAK SHARP EDGES: PART TO BE CLEAN AND OIL FREE ALL DIMENSIONS ARE IN INCHES DIMENSIONING & TOLERANCING PER ASME Y14.5M-1994 TOLERANCES: .XX = ±.01 FRACT = ±1/32 .XXX = ±.005 ANG. = ±1/2° ✓ SURFACE ROUGHNESS MACHINED PARTS V63 MOLDED PARTS V32	DRAWN C. FRANTZIDES 03/28/13
HOLE DIA. TOLERANCE .0135 - .125 +.004 .126 - .250 +.005 .251 - .500 +.008 .501 - .750 +.008	CHECKED S. VALDES 05/23/13
	ENGR E. NABOYSHCHIKOV 05/23/13
	MFG W. FORD 05/24/13
	Q.A. B. RUBENI 05/24/13
	APPROVED Y. ZADEH 05/24/13
NEXT ASSY	DRAWN IN CAD

AeroAntenna Technology Inc
AS9100 CERTIFIED CO.

TITLE: **GSM/GPS L1 ANTENNA**

SIZE B	CAGE CODE OUVG2	DRAWING NO. AT8075-41-R	REV A
-----------	--------------------	----------------------------	----------

SCALE: NONE | I:\CAD\AT8075\41R\AT8075-41-R_A | SHEET 1 OF 1



03-9243358 :פקס ▪ 03-9243352 :טל ▪ 7042 ת.ד. ▪ מ"פ 7042 ת.ד. ▪ 14 אודוס י"ח
www.hypertech.co.il ▪ sales@hypertech.co.il