



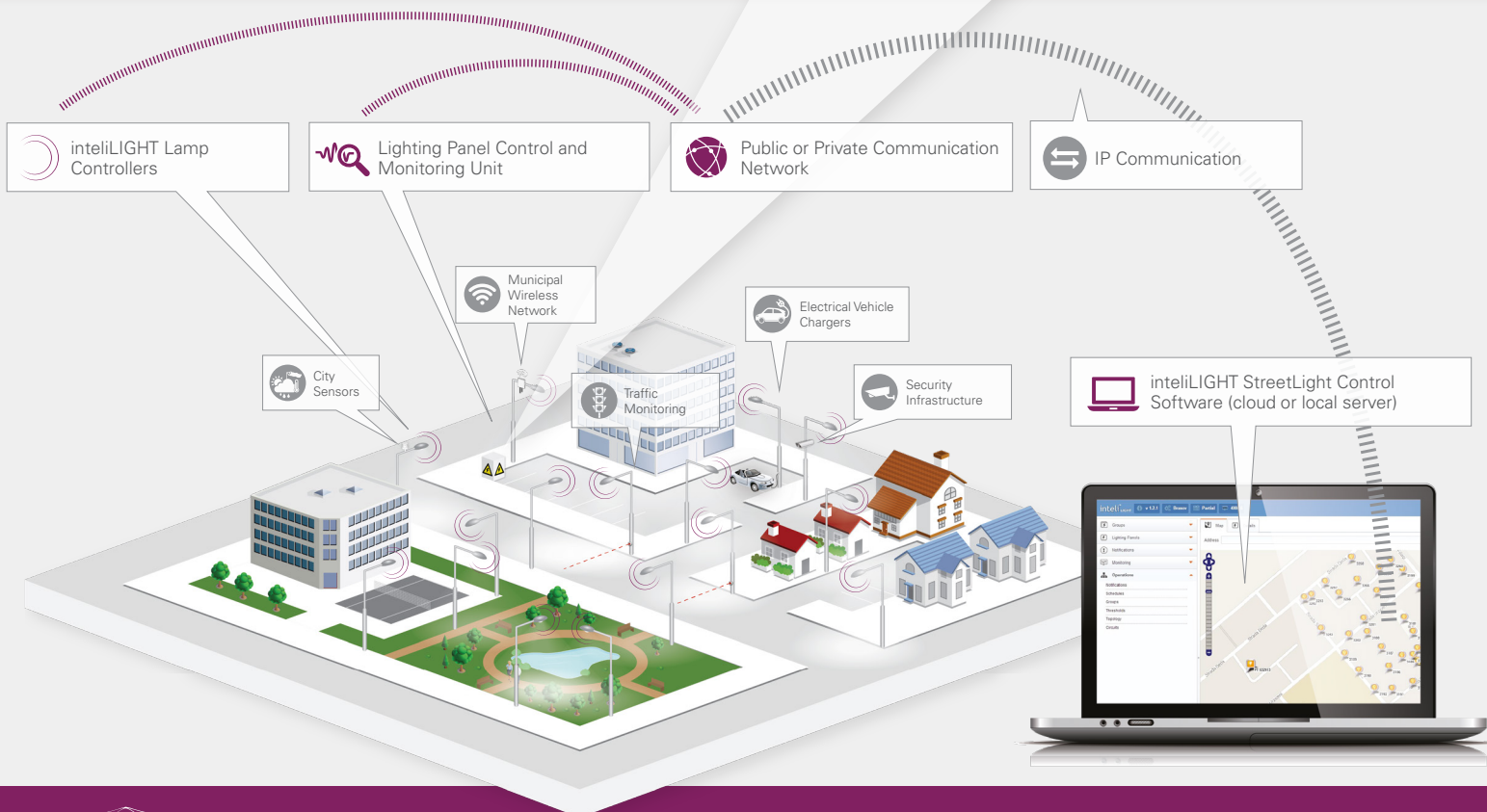
## LoRaWAN compatible smart street lighting

FRCM-L lighting panel control and monitoring unit- data sheet | 03/11/21 | v1.32

# FRCM-L - LoRaWAN compatible, lighting panel control and monitoring unit

Installed inside the feeder pillar, it is designed to provide autonomous operation for street lighting installations and to carry out three phase measurements and analysis of electrical parameters in street lighting grids.

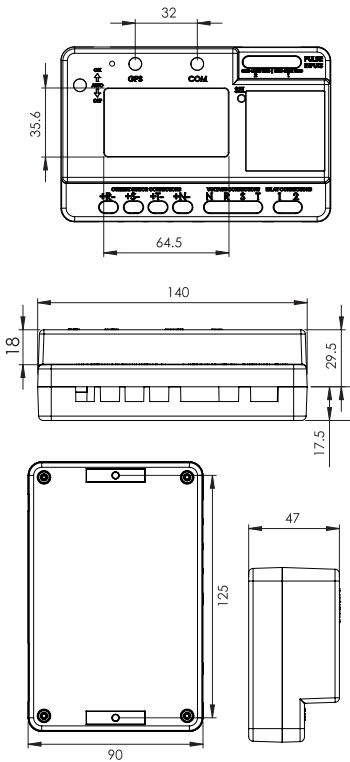
- › Specially designed and optimized for LPWA networks.
- › VPN security with AES128-bit encryption and key rotation.
- › Bandwidth efficient with minimal communication requirements.
- › Autonomous operation based on predefined astronomic calendar and/or external light level sensor (digital INPUT).
- › Remote real-time ON/OFF control.
- › Remote monitoring of grid parameters in street lighting grids: per phase voltage, current, frequency, power factor, active/ reactive/ apparent power, daily active/ reactive energy consumption.
- › Configuration options for: current transformer ratio, voltage/power thresholds and daytime/ nighttime consumption thresholds.
- › LCD for displaying electrical parameters and device status.
- › GPS for exact location and time.
- › Maintenance switch for local manual override (AUTO/ON/OFF).
- › Inputs: 2 x Digital INPUT.
- › Output: 1 x Dry contact relay output (230V, max 3A).
- › Designed lifetime: 10+ years.



**FLASHNET**  
An ENGIE company



**DIMENSIONS (mm):**



| FRCM-L                         |   |
|--------------------------------|---|
| Power supply                   | Direct connection   |
| Voltage input range            | 85- 260VAC / 50-60 Hz   |
| Network interface              | LoRaWAN (Class C or Class A)  |
| RF spectrum                    | 868MHz / 915MHz / 923MHz  |
| Display                        | LCD   |
| Firmware update                | OTA (over the air)  |
| GPS                            | Location and time   |
| Security                       | AES128-bit encryption and key rotation per session  |
| Surge protection               | 6kA   |
| Internal scheduling memory     | 128 events (daily / weekdays / weekends / fixed date / exceptions)  |
| Power consumption              | Max. 10W  |
| Precision RealTime Clock (RTC) | Battery operated  |
| Battery operation time         | up to 5 hours   |
| Input                          | • R, S, T voltage inputs • R, S, T, N current inputs • 2 x Digital input  |
| Power network type             | Three phase electric network and Neutral  |
| Current transformers           | Standard X:5, where X is user definable   |
| Output                         | 1 x Dry contact relay (230V, max 3A)  |
| Connectors                     | • Voltage (R,S,T,N) • Current (R,S,T,N) • RF / GPS / USB  |
| Grid connectors                | 2.5 mm <sup>2</sup> terminals   |
| Antennas                       | 2 x SMA   |
| IP rating                      | IP20 (optional IP65 external housing)   |
| Operating temperature          | -25°C to + 65°C   |
| Operating humidity             | 95% non-condensing  |
| Weight                         | 320 ± 5 g   |
| Dimensions (L x W x H)         | 138 x 90 x 47 mm  |
| Mounting                       | DIN RAIL  |
| Compliant standards            | CE, RoHS, EN 61000-3-2(2014), EN 61547(2009), EN 60068-2-1(2007), EN 60068-2-2(2007), Prequalified according to ETSI EN 300 220 |
| Certifications                 | CE, FCC- in progress  |

**MEASURED PARAMETERS:**

- › voltage
- › current
- › active power
- › reactive power
- › apparent power
- › active energy
- › reactive energy
- › power factor
- › frequency

**CONFIGURABLE PARAMETERS:**

- › current transformer ratio
- › voltage/power / current thresholds
- › daytime/ nighttime consumption threshold

**ALARMS MONITORED:**

- › over/ under voltage detection
- › over/ under power detection
- › over/ under current detection
- › unusual daytime/nighttime consumption
- › phase failure

**ELECTRICAL CONNECTIONS:**

