

# EchoGuard<sup>®</sup> CR

4D Surveillance Radar for Close Range requirements

Guard Every Perimeter.  
Ground and Air.  
Reliably.

Active beam-steering 4D radar designed for high performance at close range.

Ideal for guarding ground and airspace perimeters of critical infrastructure and high-risk facilities in semi-/urban locations.

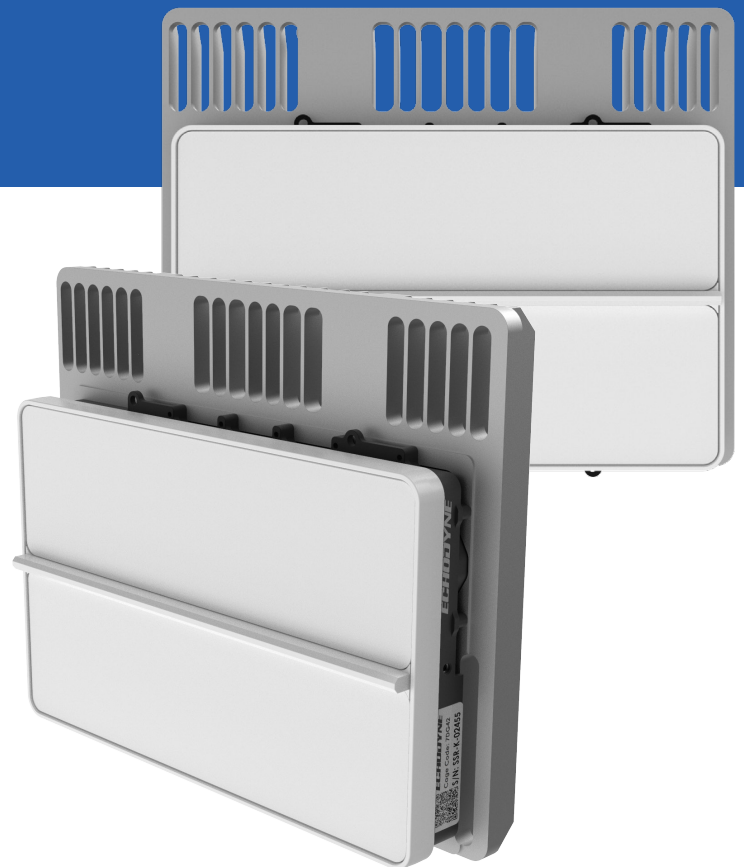
Clearly identify hovering drones spying from distance.

Easily configurable to site and mission requirements through an intuitive user interface.

Ultra-low size, weight, power (SWaP) and commercial pricing.

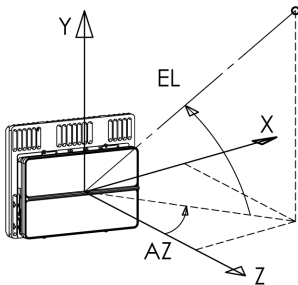
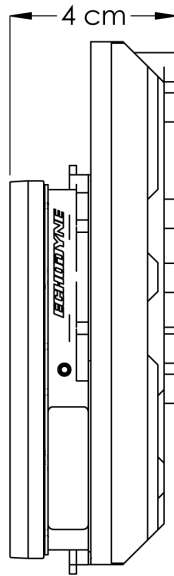
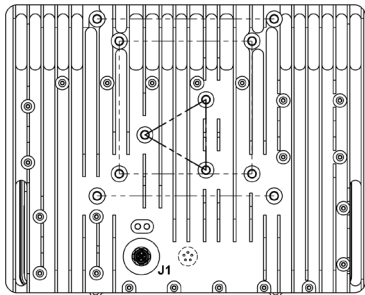
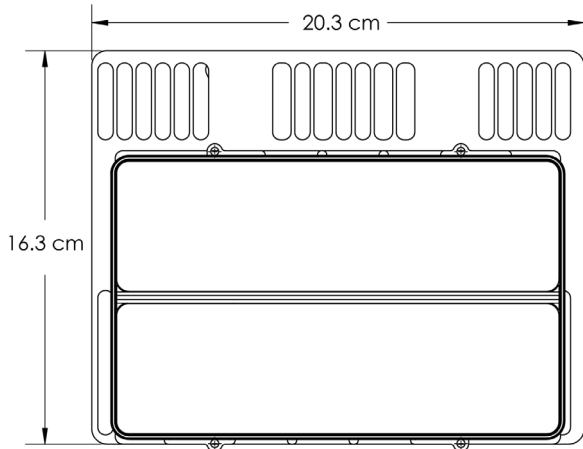
Mounting options for fixed sites and truly portable for temporary applications.

Generates high fidelity data for easy integration into security platforms or stand-alone systems.



## EchoGuard CR

4D Surveillance Radar for Close Range requirements



### Performance

Instrumented Range	1.2 km
Range (sUAV)	> 225 m (Phantom 4) > 350 m (Matrice 600)
Range (vehicle)	> 900 m
Range (human)	> 500 m
Field of view	120° azimuth x 80° elevation
Angular resolution	2° azimuth x 6° elevation
Frequency	24.45 - 24.65 GHz (USA; multi-channel)

### Search While Track

Scan volume	User configurable
Search update rate	-1 Hz for 120° az x 60° el volume
Track acquisition rate	New tracks acquired <1 sec
Search While Track	Tracks updated up to 10 Hz while radar intelligently scans rest of FOV
Max tracks	Up to 20 simultaneous tracks
Modes	Operational modes enable quick simple tracking of humans & UAVs

### SWaP and Environmental

Size	20.3 cm x 16.3 cm x 4 cm
Weight	1.25 kg (2.75 lbs)
Power	DC +10 V to +30 V (Comp w/ PoE+, Class 4 Ext.)
Operating	< 23 W (Operating) < 10 W (Hot standby)
Operating temp	-40°C to +75°C
Weather Protection	IP67

### Integration and Data

Control I/O	Gigabit Ethernet
Power I/O	Snap lock 12 pin connector
Data output	R/Vmaps: 40 MB/s Detections: 1 MB/s Measurements: 1 MB/s Tracks: 25 kB/s
Mounting	VESA 75 & 100 mm

### FCC Identifier

2ANLB-MESASSR00053

### Ordering Information

■ color: White

700-0005-203-110