

# WZB-05ET ZigBee Ethernet Converter



## Features & Benefits

- Easy to install for rapid deployment (no additional wiring necessary).
- Easy to add additional devices.
- Easy to construct Wireless ZigBee security network.
- Auto-repair & auto reconnection for connection stability & integrity.
- Suitable for nimble Wireless application.
- Cost-effective for connecting multiple devices.

The WZB-05ET of ZigBee Wireless transceiver to Ethernet converters use the new generation of TI CC2530 SoC and provide simple connection for serial-to-Ethernet communications. Their Plug and Play design make them easy to install and use to form Wireless ZigBee networks. The auto-repair and auto reconnection features allow for easy addition and removal of any nodes as well as continuing stability and integrity of connections. Simply add WZB-05ET module to legacy serial set-ups to provide instant networking capability.

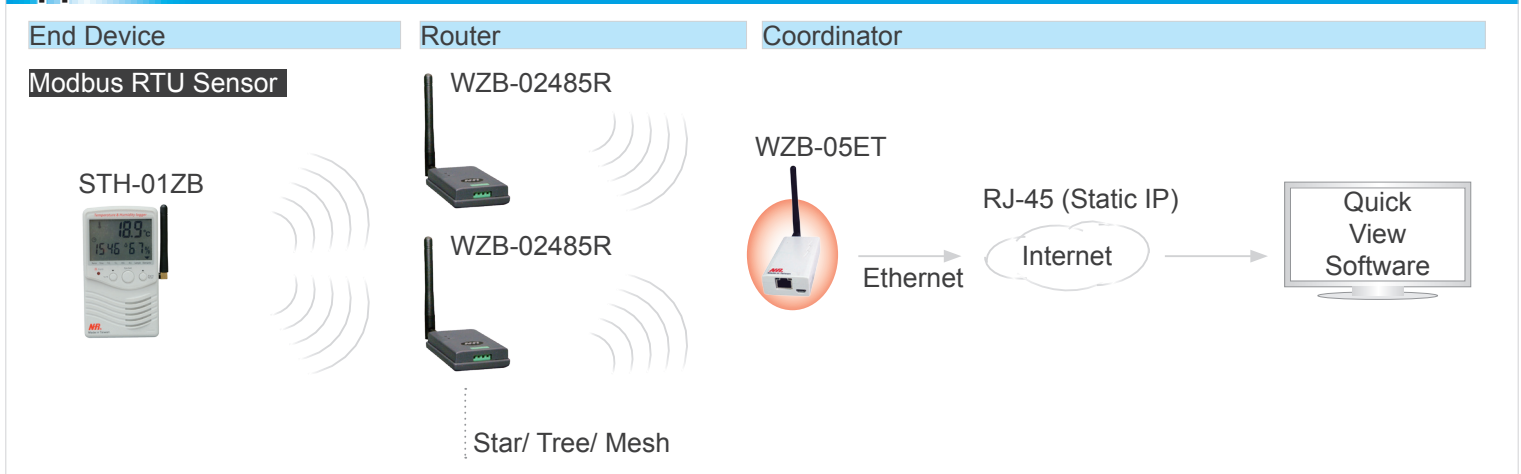
## Specifications - Wireless

Wireless Protocol	Compliant IEEE 802.15.4, ZigBee2007/PRO	ESD Protection	±4KV contact
Chip Set	TI ZigBee SoC CC2530F256, 256K Flash	Antenna	2dBi Omni SMA Antenna
Operating Frequency	2.4GHz ISM Band	Network Topology	Star/ Tree/ Mesh
Channel	16CH	Auto Reconnection	Automatically repair and reconnect
Transmission Range	500m (line of sight)	Transmission Protocol	Modbus RTU or DIO
Transmission Data Rate	250kbps Max.	Baud Rate	9600/19200/38400/57600/11520 bps selectable
RF Output Power	18dBm	Dimensions	62(L) x 42(W) x 15(H) mm
Receive Sensitivity	-92dBm	Weight	52g
Power Supply	6 ~ 24V DC	OS Support	Windows 95/ 98/ NT/ 2000/ XP/ Vista/ Win7
Operating Environment	-10 ~ +60°C, 90% RH.	Certifications	CE/ FCC
Power Consumption	0.8W		

## Specifications - Ethernet

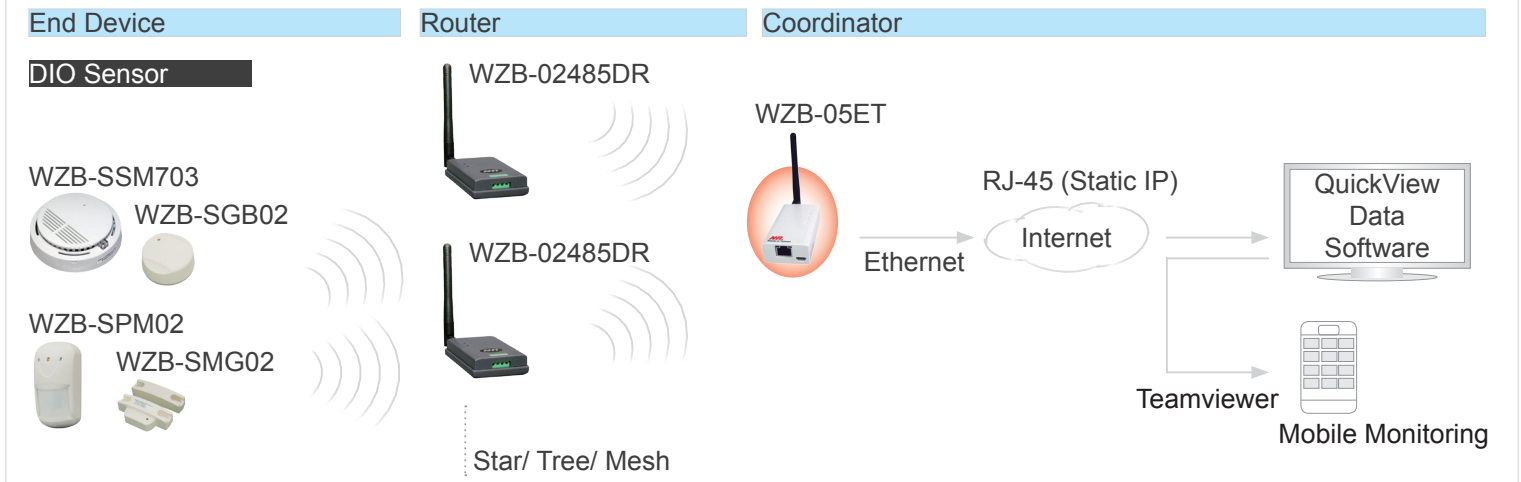
Network Protocol	ARP, IP, ICMP, UDP, TCP, HTTP, DHCP, Telnet 10/100Mbps/sec	Serial Port	Port 0 & Port 1 two sets CMOS/TTL, flow control PORT 1 rate of up to 1.5Mbps/sec
Data Rate	Auto MDI/MDIX detection Traffic and link indicator Auto polarize verification	Parameters Setting	Via Web server
		Network Configuration	Static IP or DHCP

## Application Solutions - 1

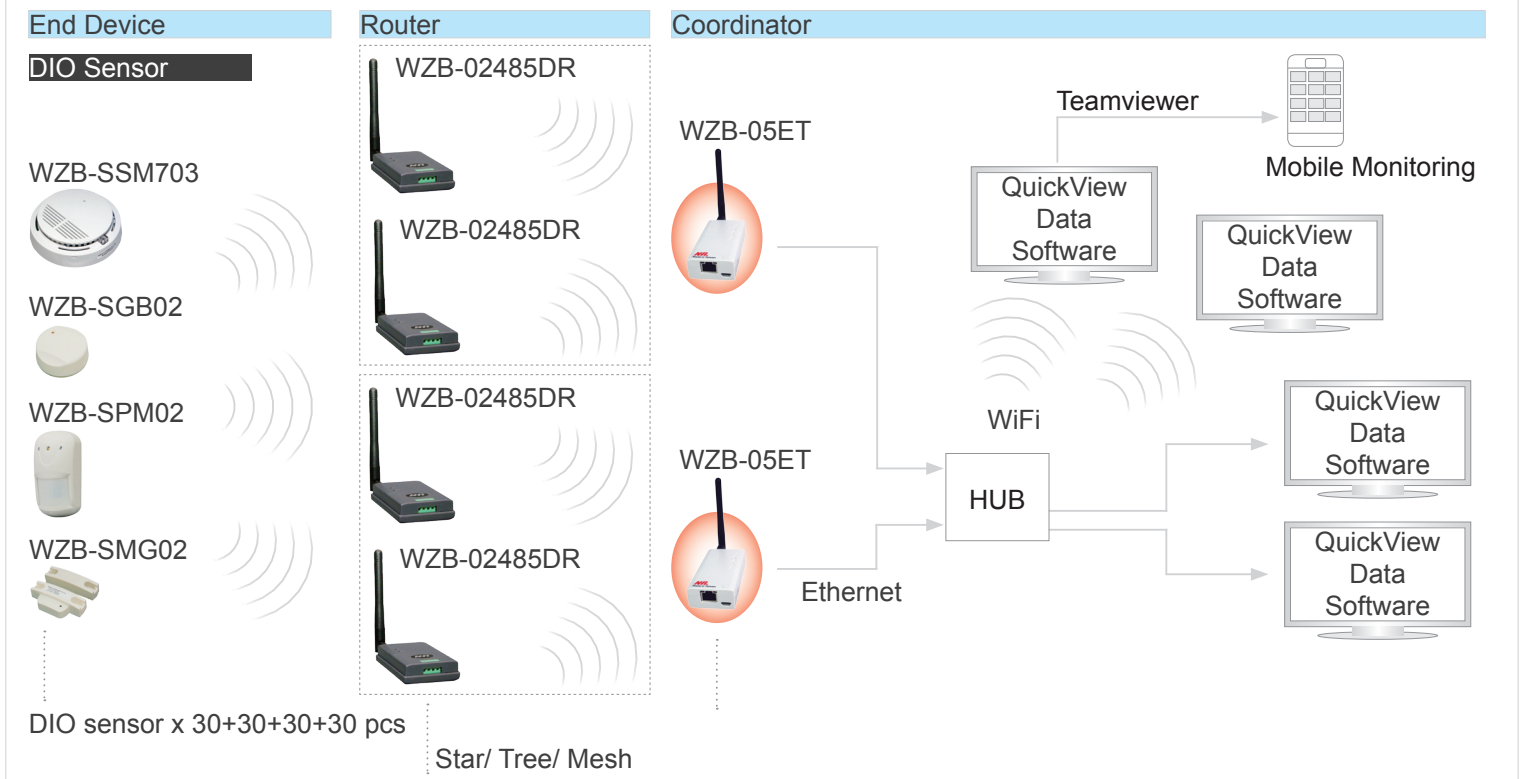


# WZB-05ET ZigBee Ethernet Converter

## Application Solutions - 2



## Application Solutions - 3



## Ordering Code & Accessories

Solution	Ordering Code	Description	Solution	Ordering Code	Description
End Device	STH-01ZB	ZigBee Wireless T/H data logger	Router	WZB-02485R	ZigBee Wireless router
End Device	WZB-SSM703	ZigBee Wireless smoke detector	Router	WZB-02485DR	ZigBee Wireless router
End Device	WZB-SGB02	ZigBee Wireless glass break sensor	Coordinator	WZB-05ET	ZigBee ethernet converter
End Device	WZB-SPM02	ZigBee Wireless intrusion detector			
End Device	WZB-SMG02	ZigBee Wireless Magnetic switch			