



# Trimble AV16 Antenna

HELIX BASED DUAL-FREQUENCY ANTENNA FOR UAV APPLICATIONS

The Trimble AV16 antenna is a helix based dual-frequency L-band antenna. This antenna is ideal for UAV applications due to its lightweight, small form factor and low power consumption design.

## COMPREHENSIVE GNSS SUPPORT

The Trimble AV16 offers support for GPS L1/L2, GLONASS L1/L2, Galileo E1 and BeiDou B1 as well as Trimble RTX and OmniSTAR correction services via L-Band.

## DESIGNED FOR ACCURACY

Trimble AV16 features a precision tuned, helix element. It offers excellent axial ratio and does not require a ground plane for optimal performance. In addition, the antenna has an integrated low-loss pre-filter to increase the antenna's

immunity to high amplitude interfering signals from LTE and other cellular signals. The antenna also has an integrated SMA connector for easy screw-on mounting as well as an O-ring to comply with IP67 standards.

Additional key features of the AV16 include:

- ▶ Very low noise preamp: 1.7dB
- ▶ Axial ratio: <0.5dB max
- ▶ LNA Gain: 35dB
- ▶ Low current: 21mA typ
- ▶ ESD circuit protection: 15 KV
- ▶ Invariant performance from: +2.2 to 16VDC

## Key Benefits

- ▶ Lightweight at 37g
- ▶ Small footprint
- ▶ Great multipath rejection
- ▶ Increased system accuracy
- ▶ Excellent signal to noise ratio
- ▶ IP67, REACH and RoHS compliant



14 Odem ST. P.O.B. 7042 Petach Tikva 4917001, ISRAEL | Office: +972-3-924-3352  
Fax: +972-3-9243385 | sales@hypertech.co.il | www.hypertech.co.il

# Trimble AV16 Antenna

## TECHNICAL SPECIFICATIONS

@ Vcc = 3V and 25 °C ambient temperature

Antenna

Element Architecture ..... Dual-Frequency  
Quadrifilar Helix

GNSS		Gain (dBic typ at Zenith)	Axial Ratio (dB at Zenith)
GPS / QZSS	L1	3.3	≤ 0.5 max
	L2	1.8	≤ 0.5 max
	L5	-	-
GLONASS	L1	2.8	≤ 0.5 max
	L2	1.5	≤ 0.5 max
	L3	-	-
Galileo	E1	3.3	≤ 0.5 max
	E5a	-	-
	E5b	-	-
	E6	-	-
BeiDou	B1	3.1	≤ 0.5 max
	B2	-	-
	B2a	-	-
IRNSS / NavIC	L5	-	-
QZSS	L6	-	-
L-Band Services (1525MHz - 1559MHz)		2.9	≤ 0.5 max

## ELECTRICAL SPECIFICATIONS

Frequency Bandwidth ..... 1525MHz - 1606MHz  
1215MHz - 1254MHz

Overall LNA Gain ..... 35dB  
LNA Noise Figure ..... 1.7dB typ  
VSWR ..... <1.5:1 typ  
1.8:1 max

Supply Voltage Range ..... +2.2 to 16VDC  
Supply Current ..... 21mA typ at 25 °C  
ESD Circuit protection ..... 15 KV air discharge  
EMI Immunity ..... 50V/meter, excepting L1 +/- 100MHz  
and L2 +/- 100 MHz

## Out-of-Band Rejection

L1		L2	
<1400MHz	>36dB	<1100MHz	>35dB
<1450MHz	>32dB	<1190MHz	>47dB
>1700MHz	>45dB	>1350MHz	>48dB

## PHYSICAL & ENVIRONMENTAL SPECIFICATIONS

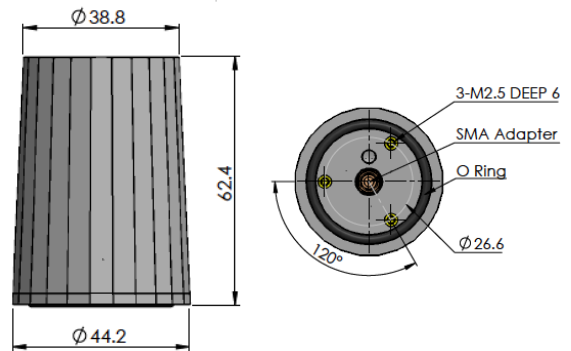
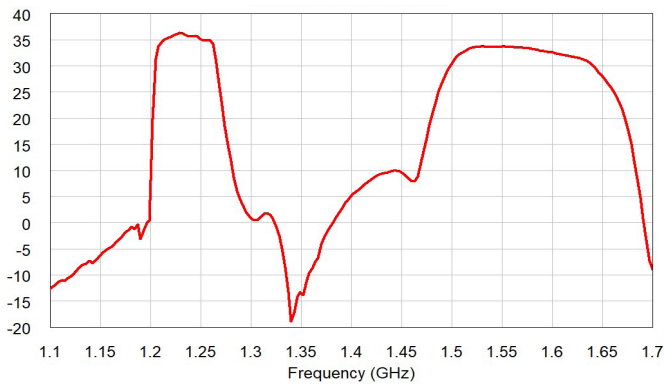
Mechanical Size ..... 62.4 mm (H) x 44.5 mm (D)  
Weight ..... 37g  
Connector ..... SMA Male  
Operating Temperature Range ..... -40 °C to +85 °C  
Enclosure ..... Radome: EXL9330, Base: EXL9330  
Environmental ..... IP67, RoHS and REACH compliant  
Shock ..... Vertical axis: 50 G, Other axes: 30 G  
Vibration ..... 3 axis, sweep = 15 min, 10 to 200Hz sweep: 3 G

## PART NUMBER

120982-16 ..... Trimble AV16 GNSS Antenna

Specifications subject to change without notice.

AV16 Filter Curve



Contact your local Trimble Authorized Distribution Partner for more information



14 Odem ST. P.O.B. 7042 Petach Tikva 4917001, ISRAEL | Office: +972-3-924-3352  
Fax: +972-3-9243385 | sales@hypertech.co.il | www.hypertech.co.il

