



## Acutime™360 Multi-GNSS Smart Antenna

### KEY FEATURES

- Multi-Constellation
- Simultaneous GPS / GLONASS or GPS / Beidou tracking
- Superior sensitivity
  - ✓ Tracking -160dBm
  - ✓ Acquisition-148dBm (cold)
- Weatherproof and corrosion resistant housing
- Extended temperature range (-40°C / +85°C)

### Multi-GNSS Smart Antenna

The Trimble® Acutime™360 Multi-GNSS (GPS, GLONASS, Beidou, Galileo-ready) smart antenna is latest Acutime product of integrated GNSS technology in a rugged and weatherproof self-contained unit.

The Acutime™360 is an integrated pipe thread-mounted multi-GNSS receiver, antenna and power supply solution in a single environmentally sealed easy to install enclosure.

### Demonstrated Performance

The Acutime™360 design continues the Trimble line of GNSS smart antennas, which have been in production since 1991. The Acutime™360 is optimized for precise timing and network synchronization needs, including broadband wireless applications.

It provides a cost effective and independent timing source (within the firewall) for any application, such as fault detection systems and synchronization of wireless networks..



### Power Efficiency & Performance

The Acutime™360 Multi-GNSS smart antenna requires less than 1 Watt to operate. Once power is applied, the Acutime™360 smart antenna automatically tracks satellites and surveys its position to within meters. It then switches to overdetermined time mode and generates a pulse-per-second (PPS) output synchronized to UTC within 15 nanoseconds (one sigma), outputting a time tag for each pulse

### Acutime™360 Starter Kit Option

The Acutime™360 Starter Kit makes it easy to evaluate the exceptional performance of this multi-GNSS smart antenna and integrate advanced technology into your system..



# ACUTIME™ 360 MULTI-GNSS SMART ANTENNA

## GENERAL SPECIFICATIONS

Receiving Signal.....GPS, GLONASS, Galileo<sup>1</sup>, Beidou  
Positioning System.....SPS, Timing  
1 PPS Timing Accuracy .....15 ns (1 sigma)  
Update Rate.....1 Hz  
Typical Min Acq Sensitivity.....-148dBm cold start  
Typical Min Tracking Sensitivity ..... -160dBm  
Time to First Fix<sup>2</sup>.....<46s (50%), <50s (90%) cold start  
Typical Time to Re-acquisition..... <2s (90%)  
Accuracy Horizontal Position.....<6m (50%), <9m (90%)  
Accuracy Vertical Position..... <11m (50%), <18m (90%)

<sup>1</sup> Hardware ready: a firmware update is required to enable the Galileo constellation.

<sup>2</sup> The performance criteria and times given for TTFF & reacquisition are with GPS satellites in the constellation set.

## INTERFACE CHARACTERISTICS

Serial Port.....2 serial port  
Protocols.....TSIP, NMEA 0183  
All ports support baud rates 4.8-115.2kbps; 8 data bits; E, O or no parity.

## ELECTRICAL CHARACTERISTICS

Power.....+5VDC<sup>3</sup> to +36VDC, reverse polarity protection  
Power Consumption.....<1.0Watt  
<sup>1</sup> Reduced cable length @+5VDC to +12VDC

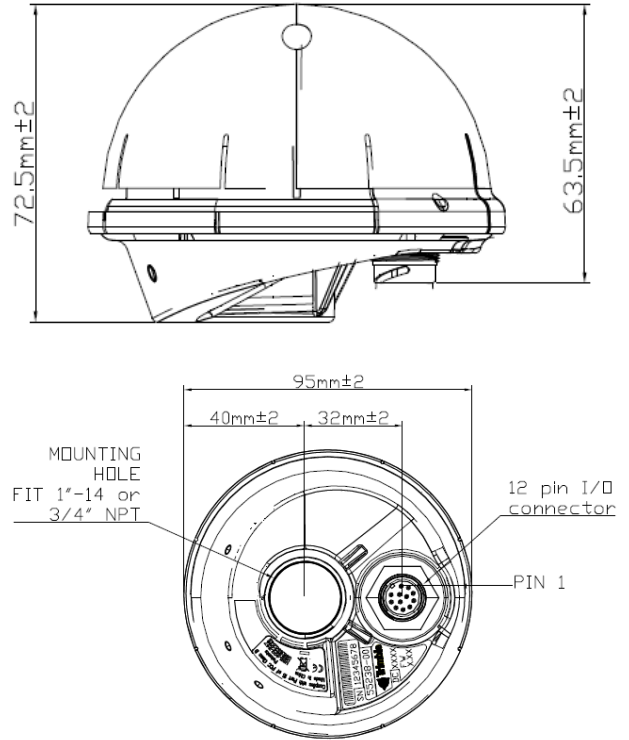
## ENVIRONMENTAL SPECIFICATIONS

Operating Temperature.....-40°C to +85°C  
Operating Humidity.....5%-95% RH non-condensing (+60°C)  
Storage Temperature.....-55°C to +105°C  
Ingress Protection.....IP67  
EMC.....CE, FCC Class B

## PHYSICAL CHARACTERISTICS

Dimensions .....95mm x 72.5mm  
(3.74" D x 2.85" H)  
Weight.....5.4oz (154grams)  
Connector.....12-pin round, waterproof  
Mounting.....1"-14 straight thread or 3/4" pipe thread

## Mechanical Drawing



Parts of the product are patent protected.

Trimble has relied on representations made by its suppliers in certifying this product as RoHS-II compliant.

Specifications subject to change without notice.

Trimble Navigation Limited is not responsible for the operation or failure of operation of GPS satellites or the availability of GPS satellite signal.



14 Odem ST. P.O.B. 7042 Petach Tikva 4917001, ISRAEL | Office: +972-3-924-3352  
Fax: +972-3-9243385 | sales@hypertech.co.il | www.hypertech.co.il



www.trimble.com

©2015, Trimble Navigation Limited. All rights reserved. Trimble and the Globe & Triangle logo are trademarks of Trimble Navigation Limited, registered in the United States and in other countries. Resolution SMT and The right one logo are trademarks of Trimble Navigation Limited. All other trademarks are the property of their respective owners.