

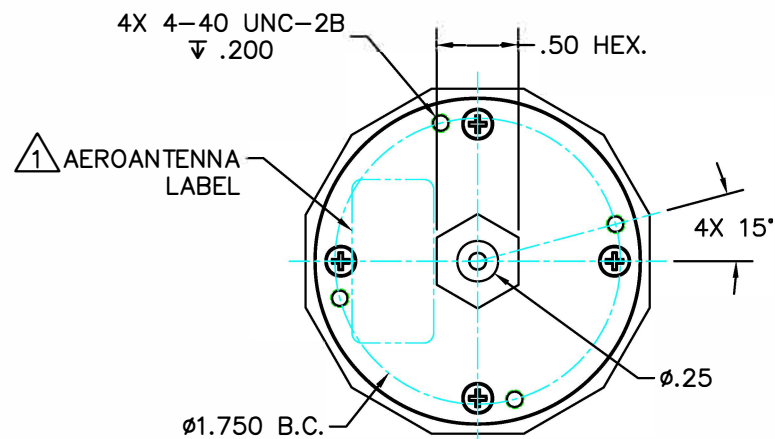
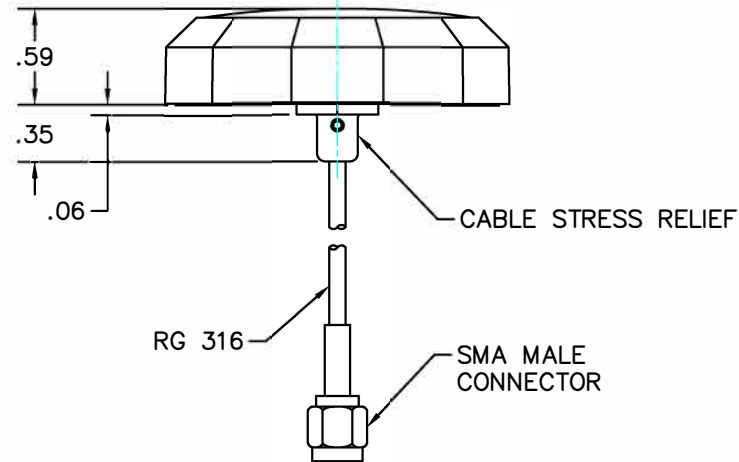
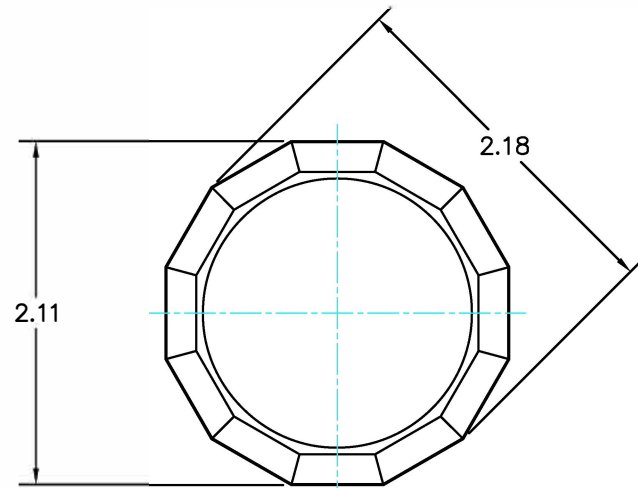
PROPRIETARY NOTICE: This document contains proprietary information of AAT Inc. neither the document nor said proprietary information shall be published, reproduced, copied, disclosed or used for any purpose other than consideration of this document without the express written permission of a duly authorized representative of said Company.

REVISIONS			
SYM	DESCRIPTION	DATE	APPROVED
C	REVISED PER ECO 7856	10/12/07	

NOTES: UNLESS OTHERWISE SPECIFIED.

1 LABEL SIZE, SHAPE, AND CONTENTS SUBJECT TO CHANGE WITHOUT NOTICE.

2. TOLERANCES: .XX = ±.03
.XXX = ±.010



PART NO. DESIGNATION

COLOR: AT575-84X-XXXX-XXX-XX-XX-XX
W = WHITE
S = SMOKE GRAY
O = OLIVE DRAB

CONNECTOR
TNCM = TNC MALE
TNCF = TNC FEMALE
BNCM = BNC MALE
BNCF = BNC FEMALE
MCXM = MCX MALE
MCXF = MCX FEMALE
SMAM = SMA MALE
SMAF = SMA FEMALE
NTPM = NTP MALE
NTPF = NTP FEMALE
0000 = NO TERMINATION

CABLE LENGTH
000 = IN INCHES

MAGNET
NM = NO MAGNET
*IM = INTERNAL
*RM = REMOVABLE
*HD = HEAVY DUTY

GAIN (± 2 db)
00 = PASSIVE
12 = 12 DB (20 mA)
26 = 26 db (35 mA)
*36 = 36 db (50 mA)
XX = OTHER

VOLTAGE
00 = PASSIVE
05 = 5 VDC
*RG = 5 - 18 VDC
XX = OTHER

* = OPTION NOT AVAILABLE WITH THIS MODEL

STANDARD MODE = AT575-84W-SMAM-12.0-05-26-NM

RIGHT ANGLE CONNECTOR ADD "R" TO CONNECTOR NOTATION.
THIS OPTION AVAILABLE FOR CABLED ANTENNAS ONLY.

SPECIFICATION:

FREQUENCY: 1575 MHz ±2 MHz
POLARIZATION: RIGHT HAND CIRCULAR
AXIAL RATIO: 3 dB MAX.
RADIATION COVERAGE: 4.0 dBic 0° = 0°
-1.0 dBic 0° < θ < 75°
-2.5 dBic 75° ≤ θ < 80°
-4.5 dBic 80° ≤ θ < 85°
-7.5 dBic θ = 90°

AMPLIFIER:
NOISE FIGURE: 2.5 dB MAX.
IMPEDANCE: 50 OHM
VSWR: ≤2.0:1
BAND REJECTION: 35 dB
POWER HANDLING: 1 WATT

FINISH: FLUID RESISTANT, POLYURETHANE ENAMEL
WEIGHT: 3 OUNCES
ALTITUDE: 55,000'
OPERATING TEMP: -55°C TO +85°C
DESIGNED TO: D0-160C,
ENV CAT: F2-AB(CLY)XSFDfsXXXXXXXX2AC

03-9243358 :פוקס ▪ 03-9243352 :טל ▪ רח' אודם 14, ת.ד. 7042 פ"ת

www.hypertech.co.il ▪ sales@hypertech.co.il



DO NOT SCALE THIS DRAWING REMOVE BURRS AND BREAK SHARP EDGES: PART TO BE CLEAN AND OIL FREE ALL DIMENSIONS ARE IN INCHES DIMENSIONING & TOLERANCING PER ASME Y14.5M-1994 TOLERANCES: -XX ±.01 FRACT = ±1/32 -XXX ±.005 ANG. = ±1/2° ✓ SURFACE ROUGHNESS MACHINED PARTS V63 MOLDDED PARTS V32		DRAWN E. GALBAN 05/12/97	AeroAntenna Technology Inc	
		CHECKED L. TIVAROVSKY 05/14/97	TITLE GPS ANTENNA	
		ENGR S. VALDES 05/12/97	SIZE B	
		MFG D. LEVY 05/12/97	CAGE CODE OUVG2	DRAWING NO. AT575-84
		Q.A. B. RUBENI 05/23/97	REV C	
		APPROVED J. KLEIN 05/12/97	SCALE NONE	
NEXT ASSY		DRAWN IN ACAD	I:\CAD\AT575\84\AT575-84_C	
		SHEET 1 OF 1		