

PROPRIETARY INFORMATION: This document is the property of AeroAntenna Technology Inc. and is not to be distributed, reproduced, copied, or otherwise used in any form without the written permission of AeroAntenna Technology Inc.

| REVISIONS | | | |
|-----------|--------------|----------|----------|
| SYM | DESCRIPTION | DATE | APPROVED |
| K | SEE ECO 4486 | 07/24/00 | |

NOTES: UNLESS OTHERWISE SPECIFIED:
 1. LOGO OPTIONAL
 2. LABEL SIZE, SHAPE, AND CONTENTS SUBJECT TO CHANGE WITHOUT NOTICE.
 3. TOLERANCES: .XX = ±.03
 .XXX = ±.010

REFERENCE DOCUMENTS:
 INSTALLATION/CONN SEALING AP51027

SPECIFICATION:

FREQUENCY: 1575 ±5 MHz
 POLARIZATION: RIGHT HAND CIRCULAR
 AXIAL RATIO: 3 dB MAX
 RADIATION COVERAGE: 4.0 dB @ $\theta = 0^\circ$
 -1.0 dB @ $0^\circ < \theta < 75^\circ$
 -2.0 dB @ $75^\circ < \theta < 80^\circ$
 -4.5 dB @ $80^\circ < \theta < 85^\circ$
 -7.5 dB @ $\theta = 90^\circ$

AMPLIFIER:
 NOISE FIGURE: 2.5 dB MAX
 IMPEDANCE: 50 OHMS
 VSWR: ≤2.0:1
 BAND REJECTION: 35 dB @ 1525 MHz
 POWER HANDLING: 1 WATT

FINISH: WEATHERABLE POLYMER
 CONNECTOR: SEE TABLE
 WEIGHT: 13 OZ
 ALTITUDE: 12,000'
 TEMPERATURE: -40°C TO +70°C
 DESIGNED TO: 00-160

PART NO. DESIGNATION:

AT575-75X-XXXX-XXX-XX-XX-XX

COLOR
 W = WHITE
 * S = SMOKE GRAY
 D = OLIVE DRAB

CONNECTOR
 TNCF = TNC FEMALE
 ENCF = ENC FEMALE
 NTPF = N TYPE FEMALE

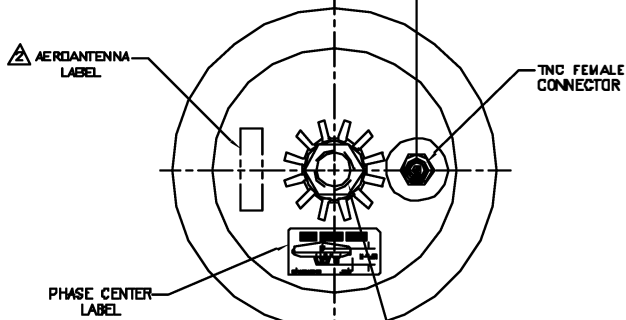
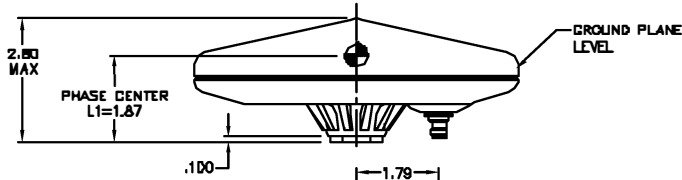
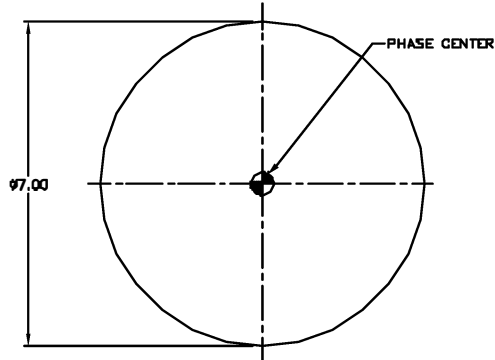
CABLE LENGTH
 * 000 = N INCHES

MAGNET
 NM = NO MAGNET

GAIN (± 2 dB)
 00 = PASSIVE
 12 = 12 dB (20 mA)
 28 = 28 dB (35 mA)
 38 = 38 dB (50 mA)
 XX = OTHER

VOLTAGE
 00 = PASSIVE
 05 = 5 VDC
 RG = 5-18 VDC
 XX = OTHER

* = OPTION NOT AVAILABLE WITH THIS MODEL
 STANDARD MODEL = AT575-75W-TNCF-000-RG-28-NM



1-14 UNS-28 THREAD FOR MOUNTING
 OPTIONAL: 5/8-11 UNC-2 ADAPTER AVAILABLE
 (AERDANTENNA PART NO: AT57520)

| | | | | | |
|------------|--|------------------------|--------------|-------------------------|----------------------|
| AT575-75 | DO NOT SCALE THIS DRAWING | DRAWN L. TIVAROVSKY | 04/03/01 | | TITLE GPS ANTENNA |
| | ALL DIMENSIONS ARE IN INCHES UNLESS NOTED OTHERWISE PER ANSI Y14.5M-1994 | CHECKED G. SHACHAR | 11/04/05 | | |
| | TOLERANCES: .005 - .010 FRACTIONS: .005 - .010 DECIMALS: .005 - .010 | ENGR J. AMADO | 11/04/05 | | |
| | ✓ SURFACE ROUGHNESS: SACRIFICED PARTS YES MOLDING PARTS YES | MFG | | | |
| | REMOVE BURRS AND BREAK SHARP EDGES | Q.A. B. RUBENI | 08/05/00 | | |
| | PART TO BE CLEAN AND OIL FREE | APPROVED J. KLEIN | 11/04/05 | SIZE: B | DATE CODE: OUVG2 |
| NEXT ASSY | UNLESS OTHERWISE SPECIFIED | DRAWN IN ACAD | | DRAWING NO. AT575-75 | REV K |
| SCALE NONE | | | SHEET 1 OF 1 | | |