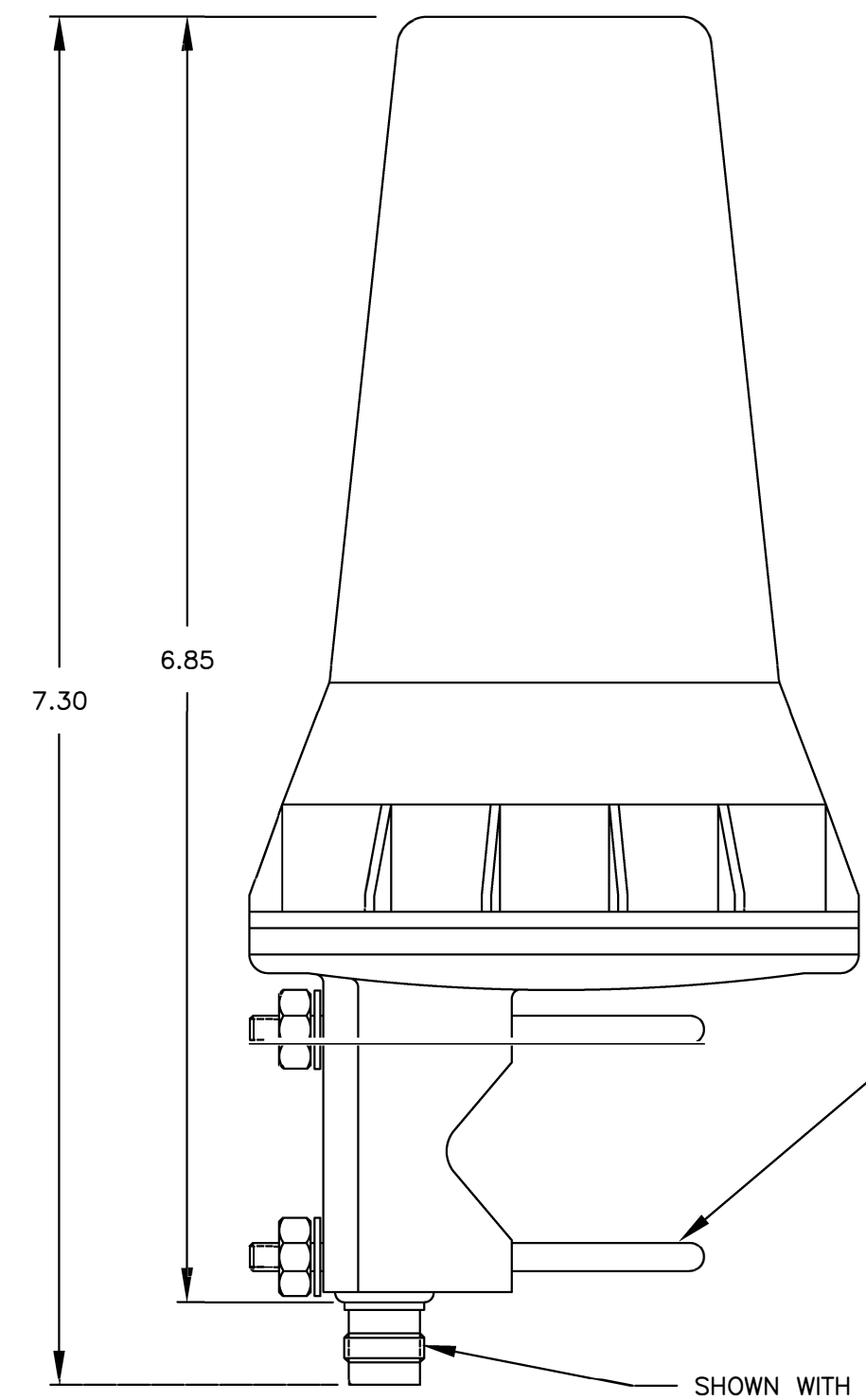


REVISIONS			
SYM	DESCRIPTION	DATE	APPROVED
D	UPDATE ECO 8822	06/23/09	
MA K E-B N FA N -S M A O P I O N S A V A I L A E B			

NOTES: UNLESS OTHER WISE SPECIFIED.

1. MOUNTING HARDWARE SUPPLIED BY AERO ANTENNA.
2. U-BOLT ASSEMBLY WILL ACCEPT 3/4-1" DIA PIPE. TORQUE NUTS TO 4-6 IN/LBS.
3. LOGO OPTIONAL.
4. TOLERANCE: .XX = ±.03
.XXX = ±.010



SPECIFICATION:

FREQUENCY: 1575 ±5 MHz
 POLARIZATION: RIGHT HAND CIRCULAR
 AXIAL RATIO: 3 dB MAX
 RADIATION COVERAGE: 7.0 dBic 0° = 0°
 2.0 dBic 0° < θ < 75°
 1.5 dBic 75° ≤ θ < 80°
 0 dBic 80° ≤ θ < 85°
 0 dBic θ = 90°
 AMPLIFIER:
 NOISE FIGURE: 2.5 dB MAX
 IMPEDANCE: 50 OHMS
 VSWR: ≤2.0:1
 BAND REJECTION: 35 dB
 POWER HANDLING: 1 WATT
 FINISH: WHEATHERABLE POLYMER
 CONNECTOR: TNC FEMALE
 WEIGHT: 6 OZ
 ALTITUDE: 20,000'
 OPERATING TEMP: -40°C TO +70°C
 DESIGNED TO: D0-160C

PART NO DESIGNATION:

AT575-73X-XXXX-XXX-XX-XX-XX

COLOR
 W = WHITE
 B = BLACK
 * O = OLIVE DRAB

CONNECTOR
 * TNCM = TNC MALE
 TNCF = TNC FEMALE
 * BNCM = BNC MALE
 BNCF = BNC FEMALE
 * MCXM = MCX MALE
 * MCXF = MCX FEMALE
 * SMAM = SMA MALE
 SMAF = SMA FEMALE
 * NTPM = N TYPE MALE
 * NTPF = N TYPE FEMALE
 * O000 = NO TERMINATION

CABLE LENGTH
 * 000 = IN INCHES

MAGNET
 NM = NO MAGNET
 * IM = INTERNAL
 * RM = REMOVABLE
 * HD = HEAVY DUTY

GAIN (± 2 dB)
 00 = PASSIVE
 12 = 12 dB (20 mA)
 26 = 26 dB (35 mA)
 36 = 36 dB (50 mA)
 XX = OTHER

VOLTAGE
 00 = PASSIVE
 05 = 5 VDC
 RG = 5-18 VDC
 XX = OTHER

* = OPTION NOT AVAILABLE WITH THIS MODEL
 STANDARD MODEL= AT575-73W-TNCF-000-RG-26-NM

03-9243358 :פקס ▪ 03-9243352 :טל ▪ 7042 פ"ת .ד.ת.ד. 14, אודם רח' היפרטק
 www.hypertech.co.il ▪ sales@hypertech.co.il



DO NOT SCALE THIS DRAWING	DRAWN	S. REESE	03/17/94
REMOVE BURRS AND BREAK SHARP EDGES:	CHECKED	G. SHACHAR	12/04/95
PART TO BE CLEAN AND OIL FREE	ENGR	J. AMADO	12/04/95
ALL DIMENSIONS ARE IN INCHES	MFG	DANNY LEVY	06/05/98
DIMENSIONING & TOLERANCING PER ASME Y14.5M-1994	Q.A.	B. RUBENI	06/05/98
TOLERANCES:	APPROVED	J. KLEIN	12/04/95
.XX = ±.01 FRACT = ±1/32	DRAWN IN	CAD	
.XXX = ±.005 ANG. = ±1/2°			
✓ SURFACE ROUGHNESS MACHINED PARTS V63 MOLDED PARTS V32			
HOLE DIA. TOLERANCE			
.0135 - .125 +.004/-001			
.126 - .250 +.005/-001			
.251 - .500 +.006/-001			
.501 - .750 +.008/-001			

AeroAntenna Technology Inc
 AS9100 CERTIFIED CO.

TITLE: GPS ANTENNA

SIZE: B CAGE CODE: OUVG2 DRAWING NO.: AT575-73 REV: D

SCALE: NONE I:\CAD\AT575\73\AT575-73_D SHEET 1 OF 1

PROPRIETARY NOTE: This document contains information of AeroAntenna Technology Inc. (AAT). Neither the document nor said proprietary information shall be published, reproduced, copied, disclosed or used for any other purpose other than consideration of document without the express written permission of a duly authorized representative of said AeroAntenna Technology Inc.