

PROPRIETARY NOTICE: This document contains proprietary information of AeroAntenna Technology, Inc. (AAT). Neither the document nor said proprietary information shall be published, reproduced, copied, disclosed or used for any purpose other than consideration of this document without the express written permission of a duly authorized representative of said AeroAntenna Technology, Inc.

REVISIONS			
SYM	DESCRIPTION	DATE	APPROVED
F	REVISED PER ECO8514	11/06/08	
ADDED 'B = BLACK' OPTION UNDER COLOR			

NOTES: UNLESS OTHERWISE SPECIFIED

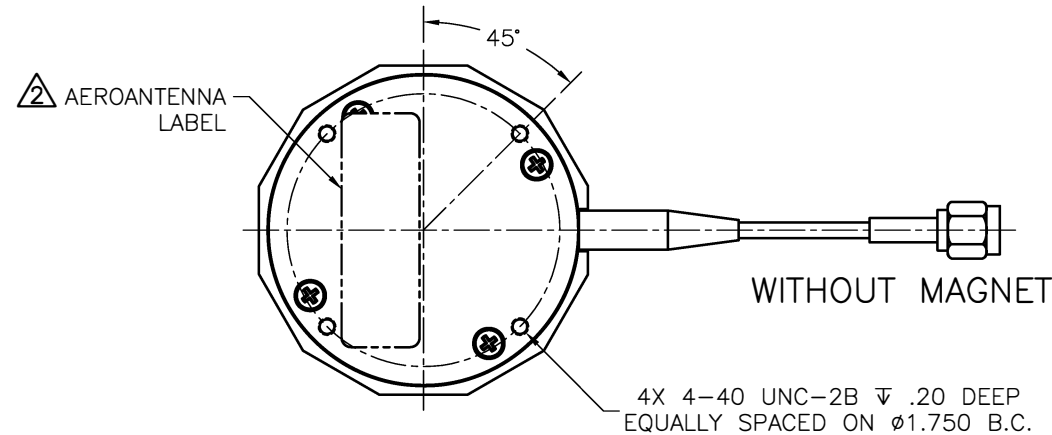
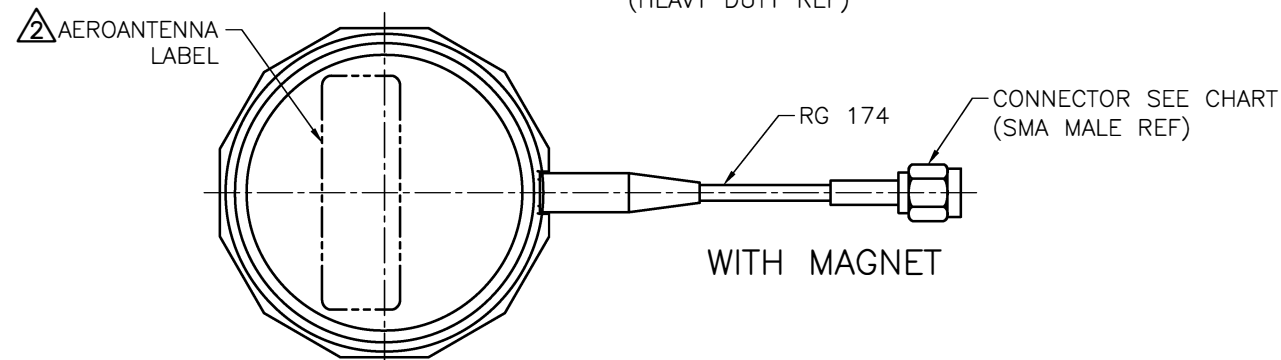
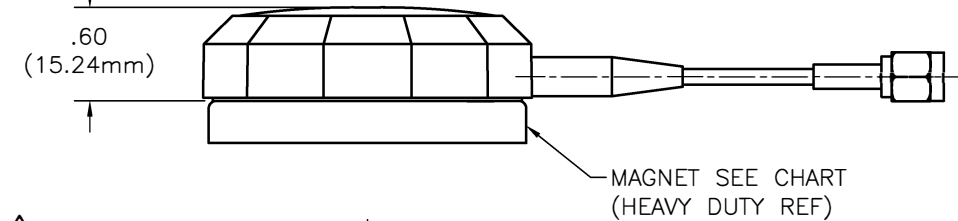
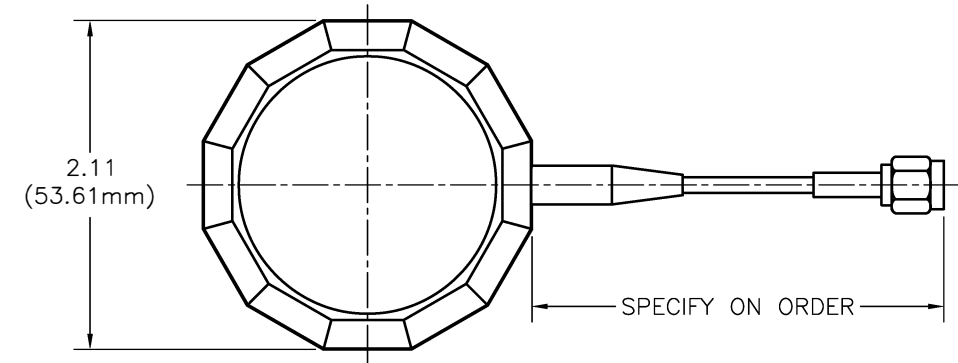
1. LOGO OPTIONAL.
2. LABEL SIZE, SHAPE AND CONTENTS SUBJECT TO CHANGE WITHOUT NOTICE.
3. TOLERANCES: .XX = ±.03
.XXX = ±.010

SPECIFICATION:

FREQUENCY: 1575 MHz ±5 MHz
 POLARIZATION: RIGHT HAND CIRCULAR
 AXIAL RATIO: 3 dB MAX
 RADIATION COVERAGE: 4.0 dBic 0° = 0°
 -1.0 dBic 0° < θ < 75°
 -2.5 dBic 75° ≤ θ < 80°
 -4.5 dBic 80° ≤ θ < 85°
 -7.5 dBic θ = 90°

AMPLIFIER:
 GAIN: SPECIFY WHEN ORDERING
 NOISE FIGURE: 2.5 dB MAX
 VOLTAGE: SPECIFY WHEN ORDERING
 IMPEDANCE: 50 OHM
 VSWR: ≤2.0:1
 BAND REJECTION: 35 dB
 POWER HANDLING: 1 WATT

FINISH: WEATHERABLE POLYMER
 CONNECTOR: SPECIFY WHEN ORDERING
 WEIGHT: 5 OUNCES MAX
 ALTITUDE: 20,000'
 OPERATING TEMP: -40° TO +70°C
 DESIGNED TO: D0160C



PART NO. DESIGNATION:
 AT575-70X-XXXX-XXX-XX-XX-XX

COLOR _____
 W = WHITE
 S = SMOKE GRAY
 B = BLACK
 O = OLIVE DRAB

CONNECTOR _____
 TNCM = TNC MALE
 TNCF = TNC FEMALE
 BNCM = BNC MALE
 BNCF = BNC FEMALE
 MCXM = MCX MALE
 MCXF = MCX FEMALE
 SMAM = SMA MALE
 SMAF = SMA FEMALE
 0000 = NO TERMINATION

CABLE LENGTH _____
 000 = IN INCHES

MAGNET _____
 NM = NO MAGNET
 IM = INTERNAL
 RM = REMOVABLE
 HD = HEAVY DUTY

GAIN (± 2 db) _____
 00 = PASSIVE
 12 = 12 db (20 mA)
 26 = 26 db (35 mA)

VOLTAGE _____
 00 = PASSIVE
 05 = 5 VDC
 3.3 = 3.3 VDC

STANDARD MODEL= AT575-70W-SMAM-120-05-26-RM
 RIGHT ANGLE CONNECTOR ADD "R" TO CONNECTOR DESIGNATION.
 THIS OPTION AVAILABLE FOR CABLED ANTENNAS ONLY.

03-9243358 :פנק ▪ 03-9243352 :לול ▪ 7042 פ"ת. 14, אודם רח' היפרטק
 www.hypertech.co.il ▪ sales@hypertech.co.il



DO NOT SCALE THIS DRAWING	DRAWN	S. REESE	08/17/94	AeroAntenna Technology Inc AS9100 CERTIFIED CO.
REMOVE BURRS AND BREAK SHARP EDGES:	CHECKED	G. SHAR	11/28/95	
PART TO BE CLEAN AND OIL FREE	ENGR	J. AMADO	12/01/95	TITLE
ALL DIMENSIONS ARE IN INCHES DIMENSIONING & TOLERANCING PER ASME Y14.5M-1994	MFG	DANNY LEVY	12/01/00	GPS ANTENNA
TOLERANCES: .XX = ±.01 FRACT = ±1/32 .XXX = ±.005 ANG. = ±1/2'	Q.A.	B. RUBENI	08/01/00	SIZE
✓ SURFACE ROUGHNESS MACHINED PARTS V63 MOLDED PARTS V32	APPROVED	J. KLEIN	12/02/95	CAGE CODE
HOLE DIA. TOLERANCE	DRAWN IN	ACAD		DRAWING NO.
.0135 - .125 +.001 -.001				AT575-70
.126 - .250 +.005 -.001				REV
.251 - .500 +.006 -.001				F
.501 - .750 +.008 -.001				SCALE
NEXT ASSY				NONE



SIZE	CAGE CODE	DRAWING NO.	REV
B	OUVG2	AT575-70	F
SCALE	I:\CAD\AT575\ -70\AT575-70_F		SHEET 1 OF 1