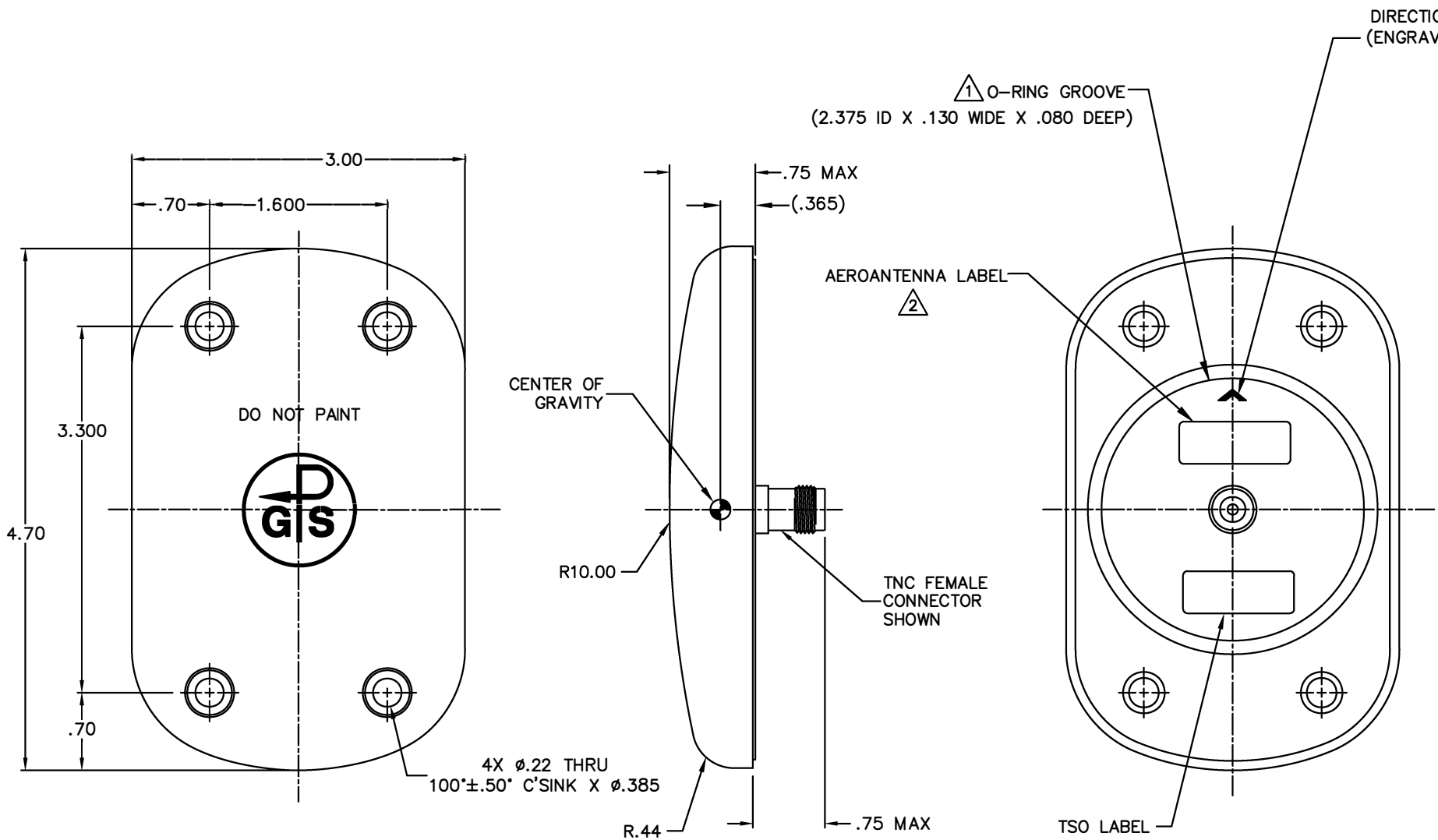


REVISIONS			
SYM	DESCRIPTION	DATE	APPROVED
D	UPDATE PER ECO 9600	01/24/11	
CHANGE O-RING GROOVE DEPTH FROM .070 TO .080			

NOTES: UNLESS OTHERWISE SPECIFIED.

- 1 O-RING AND MOUNTING SCREWS SUPPLIED BY AEROANTENNA.
- 2 LABEL SIZE, SHAPE, CONTENTS AND LOCATION ARE SUBJECT TO CHANGE WITHOUT NOTICE.
- 3. TOLERANCE: .XX = ±.03  
.XXX = ±.010



**SPECIFICATION:**

FREQUENCY: 1575.42 ±10.23 MHz  
 POLARIZATION: RIGHT HAND CIRCULAR  
 AXIAL RATIO: 3 dB MAX. AT BORE SIGHT  
 RELATIVE RADIATION: PER DO-301

**AMPLIFIER:**

GAIN: 29.5 ±3 dB  
 NOISE FIGURE: 3.2 dB MAX. @25°C  
 IMPEDANCE: 50 OHMS  
 VSWR: ≤1.5:1  
 POWER HANDLING: 1 WATT  
 FINISH: POLYURETHANE  
 WEIGHT: 8 OZ MAX.  
 ALTITUDE: 55,000'  
 OPERATING TEMP: -70°C TO +70°C  
 DESIGNED TO: DO-160E  
 METALLIC AIRCRAFT: ENV CAT: F2-AB[BD][S(CLMY)U(FF1)]X[SY]FSXSZXXX[ZCZW]YH[A4J44][2A]CAC  
 ARINC 743, RTCA/DO-301  
 MIL-STD-810C  
 C190



**PART NO. DESIGNATION:**  
 AT575-234XXX-XXXX-XXX-XX-XX-XX

CUSTOMER ID (IF APPLICABLE) \_\_\_\_\_  
 COLOR \_\_\_\_\_  
 W = WHITE  
 S = SMOKE GRAY  
 B = BLACK

CONNECTOR \_\_\_\_\_  
 TNCF = TNC FEMALE  
 SMAF = SMA FEMALE

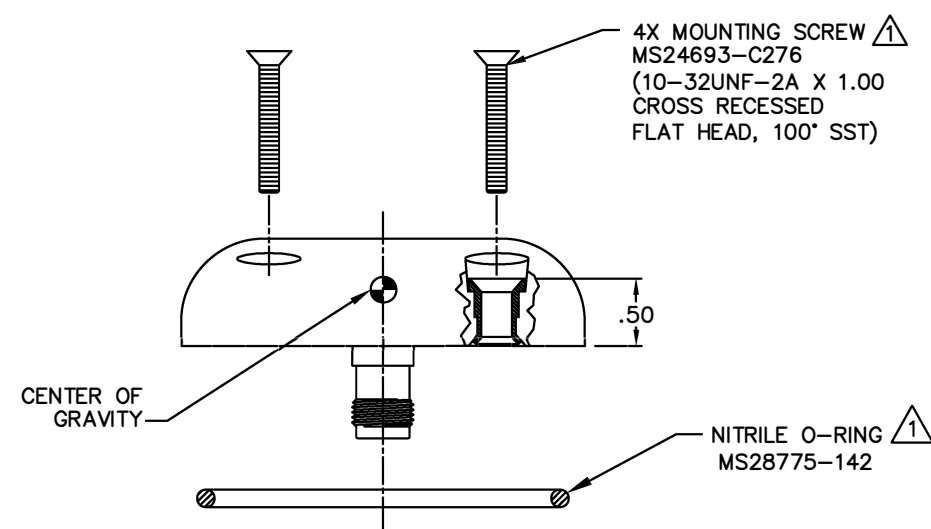
MAGNET \_\_\_\_\_  
 NM = NO MAGNET

GAIN (±3 dB)  
 29.5 = 29.5 dB (50 mA max)

VOLTAGE \_\_\_\_\_  
 RG = 4.5 - 15 VDC

CABLE LENGTH \_\_\_\_\_  
 000 = IN INCHES

STANDARD MODEL= AT575-234W-TNCF-000-RG-29.5-NM



**היפר-טק מערכות**

רח' אודם 14, ת.ד. 7042 פ"ת

טל: 03-9243352  
 פקס: 03-9243358  
 sales@hypertech.co.il  
 www.hypertech.co.il

DO NOT SCALE THIS DRAWING	DRAWN	K. RERKSAWAT	10/21/08
REMOVE BURRS AND BREAK SHARP EDGES:	CHECKED		
PART TO BE CLEAN AND OIL FREE	ENGR	K. RERKSAWAT	10/21/08
ALL DIMENSIONS ARE IN INCHES	MFG	D. LEVY	10/21/08
DIMENSIONING & TOLERANCING PER ASME Y14.5M-1994	Q.A.	B. RUBENI	10/21/08
TOLERANCES:	APPROVED	YOUSI Z.	10/21/08
XXX = ±.01 FRACT = ±1/32	DRAWN IN	CAD	
XXX = ±.005 ANG. = ±1/2°			
✓ SURFACE ROUGHNESS MACHINED PARTS V63 MOLDED PARTS V32			
HOLE DIA.	TOLERANCE		
.0135 - .125	+0.01 -0.01		
.126 - .250	+0.05 -0.01		
.251 - .500	+0.06 -0.01		
.501 - .750	+0.08 -0.01		

**AeroAntenna Technology Inc**  
 AS9100 CERTIFIED CO.

TITLE: GPS ANTENNA

SIZE: B CAGE CODE: OUVG2 DRAWING NO.: AT575-234 REV: D

SCALE: NONE I:\CAD\AT575\234\AT575-234\_D SHEET 1 OF 1

PROPRIETARY NOTE: This document contains information of AeroAntenna Technology Inc. (AAT). Neither the document nor said proprietary information shall be published, reproduced, copied, disclosed or used for any other purpose other than consideration of document without the express written permission of a duly authorized representative of said AeroAntenna Technology Inc.