

PROPRIETARY NOTICE: This document contains proprietary information of AAT Inc. neither the document nor said proprietary information shall be published, reproduced, copied, disclosed or used for any purpose other than consideration of this document without the express written permission of a duly authorized representative of said Company.

| REVISIONS | | | |
|-----------|--------------|----------|----------|
| SYM | DESCRIPTION | DATE | APPROVED |
| B | SEE ECO 4507 | 07/31/00 | |

NOTES: UNLESS OTHERWISE SPECIFIED.

- 1 LOGO OPTIONAL.
- 2 LABEL SIZE, SHAPE AND CONTENTS SUBJECT TO CHANGE WITHOUT NOTICE.
- 3 ASSEMBLE ANTENNA TO ADAPTER USING CAPTIVE SCREWS, SUGGESTED TORQUE: 5.0-6.0 IN LB, DO NOT OVER TORQUE.
4. TOLERANCES: .XX ± .03
.XXX ± .010

REFERENCE INSTALLATION DRAWING: AT5756855.

SPECIFICATION:

FREQUENCY: 1575 ±10 MHz
 POLARIZATION: RIGHT HAND CIRCULAR
 AXIAL RATIO: 1.5 dB MAX
 RADIATION COVERAGE: 4.0 dBic 0° = 0°
 -3.0 dBic 0° < θ < 75°
 -7.5 dBic 75° ≤ θ < 80°
 -8.0 dBic 80° ≤ θ < 85°
 -9.0 dBic 85° ≤ θ = 90°

AMPLIFIER: <1.5:1
 NOISE FIGURE: 2.5 dB MAX
 IMPEDANCE: 50 OHMS

VSWR: ≤2.0 : 1
 BAND REJECTION: 30 dB @ 1535 MHz (f_o -40 MHz)
 60 dB @ 1615 MHz (f_o +40 MHz)

POWER HANDLING: 1 WATT (INCLUDING IN-BAND)

FINISH: WEATHERABLE POLYMER

WEIGHT: 8 OZ MAX
 ALTITUDE: 55,000'
 OPERATING TEMP: -55°C TO +85°C
 DESIGNED TO: D0-160C

PART NO. DESIGNATION:

AT575-142X-XXXX-XXX-XX-XX-XX

COLOR _____
 W = WHITE
 S = SMOKE GRAY
 O = OLIVE DRAB

CONNECTOR _____
 * TNCM = TNC MALE
 * TNCF = TNC FEMALE
 * BNCF = BNC FEMALE
 * MCXM = MCX MALE
 * MCXF = MCX FEMALE
 * SMAM = SMA MALE
 * SMAF = SMA FEMALE
 * NTPM = N TYPE MALE
 * NTPF = N TYPE FEMALE
 * 0000 = NO TERMINATION

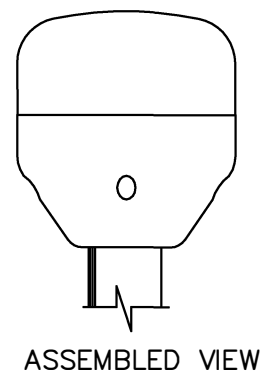
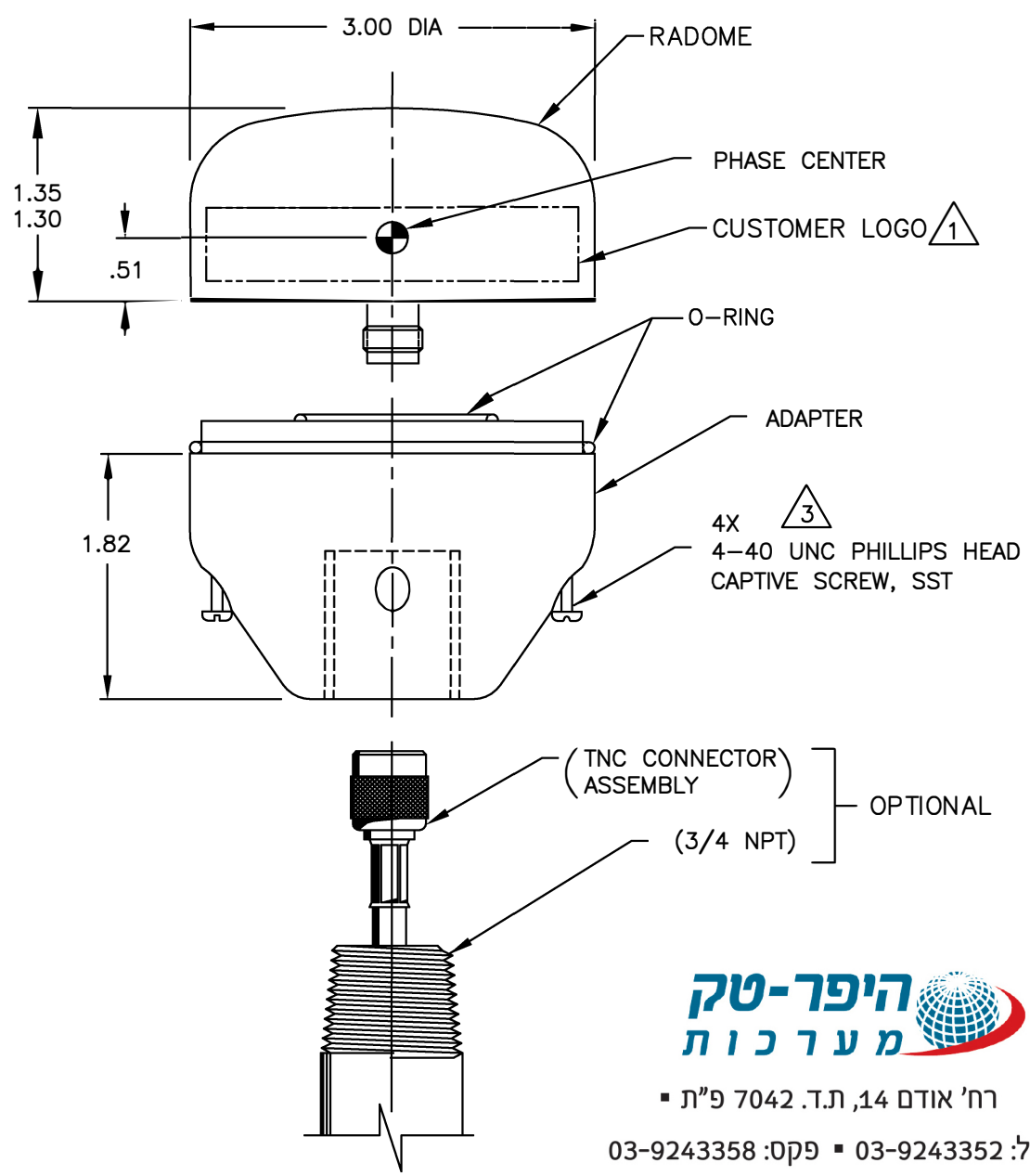
CABLE LENGTH _____
 * 000 = IN INCHES

MAGNET _____
 * NM = NO MAGNET
 * IM = INTERNAL
 * RM = REMOVABLE
 * HD = HEAVY DUTY

GAIN (±2 dB)
 00 = PASSIVE
 12 = 12 dB (20 mA)
 26 = 26 dB (35 mA)
 40 = 40 dB (50 mA)
 XX = OTHER

VOLTAGE _____
 * 00 = PASSIVE
 * 05 = 5 VDC
 * RG = 5-18 VDC
 * XX = OTHER

* = OPTION NOT AVAILABLE WITH THIS MODEL
 STANDARD MODEL = AT575-142W-TNCF-000-RG-26-NM



ח'ן אודם 14, ת.ד. 7042 פ"ת
 03-9243358 :פקס ▪ 03-9243352 :ל
 www.hypertech.co.il ▪ sales@hypertech.co.il

| | | | | |
|---|-----------------------------------|----------------------|--------------------|--------------------------|
| DO NOT SCALE THIS DRAWING ALL DIMENSIONS ARE IN INCHES DIMENSIONING & TOLERANCING PER ANSI Y14.5M-1982 TOLERANCES: .XX ± .01 .XXX ± .005 FRACT = ±1/32 ANG. = ±1/2° ✓ SURFACE ROUGHNESS PER ANSI B46.1 REMOVE BURRS AND BREAK SHARP EDGES: PART TO BE CLEAN AND OIL FREE | DRAWN D. KIM 09/30/98 | | | |
| | CHECKED J. BAELLY 08/20/99 | | | |
| | ENGR T. JEENSALUTE 08/15/99 | TITLE GPS ANTENNA | | |
| | Q.A. B. RUBENI 08/18/99 | SIZE B | CAGE CODE OUVG2 | DRAWING NO. AT575-142 |
| APPROVED G. SHACHAR 08/19/99 | SCALE NONE | AT575-142B | | SHEET 1 OF 1 |
| USED ON | UNLESS OTHERWISE SPECIFIED | | | |