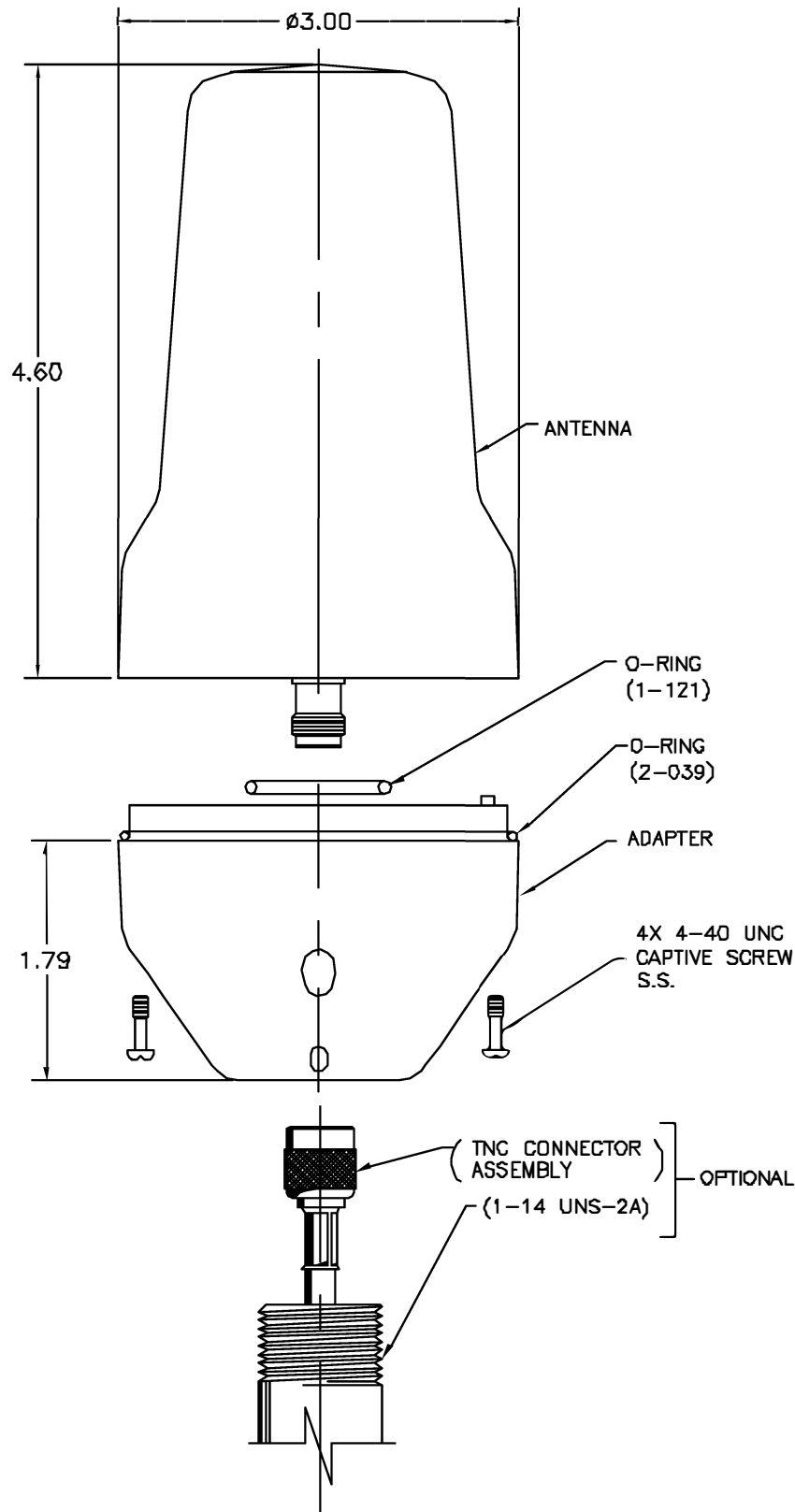


8 | 7 | 6 | 5 | 4 | 3 | 2 | 1

PROPRIETARY NOTICE: This document contains proprietary information of AAT Inc. neither the document nor said information shall be published, reproduced, copied, disclosed or used for any purpose other than consideration of this document without the express written permission of a duly authorized representative of said Company.

REVISIONS			
SYM	DESCRIPTION	DATE	APPROVED
G	SEE ECO 7130	10/17/06	

NOTES: UNLESS OTHERWISE SPECIFIED
 1. LABEL PER AEROANTENNA AT5751404-XX.
 2. TOLERANCES: .XX = ±.03
 .XXX = ±.010



SPECIFICATION:

FREQUENCY: 1575 ±2 MHz
 POLARIZATION: RIGHT HAND CIRCULAR
 AXIAL RATIO: 3 dB MAX
 RADIATION COVERAGE:
 5.0 dBic 0° = 0°
 2.0 dBic 0° < θ < 75°
 1.5 dBic 75° ≤ θ < 80°
 0 dBic 80° ≤ θ < 85°
 0 dBic θ = 90°
 AMPLIFIER:
 NOISE FIGURE: 2.5 dB MAX
 IMPEDANCE: 50 OHMS
 VSWR: ≤2.0:1
 BAND REJECTION: 35 dB
 POWER HANDLING: 1 WATT
 FINISH: WEATHERABLE POLYMER
 WEIGHT: 11 OZ
 ALTITUDE: 20,000'
 TEMPERATURE: -40°C TO +70°C
 DESIGNED TO: D0-160C

PART NO. DESIGNATION:

AT575-14X-XXXX-XXX-XX-XX-XX
 COLOR: W=WHITE, O=OLIVE DRAB
 CONNECTOR: TNC FEMALE
 MAGNET: NM=NO MAGNET
 GAIN (± 2 dB): 00=PASSIVE, 12=12 dB (20 mA), 26=26 dB (35 mA), 36=36 dB (50 mA), XX=OTHER
 VOLTAGE: 00=PASSIVE, 05=+5 VDC, RG=+5 TO +18 VDC, XX=OTHER
 CABLE LENGTH * 000 = IN INCHES



03-9243358 :פנק ▪ 03-9243352 :טל ▪ 7042 פ"ת .ת.ד ,14 אודם ,14 רח' אודם
 www.hypertech.co.il ▪ sales@hypertech.co.il



DO NOT SCALE THIS DRAWING	DRAWN	J. AMADO	05/24/91
REMOVE BURRS AND BREAK SHARP EDGES	CHECKED	G. SHAR	11/28/95
PART TO BE CLEAN AND OIL FREE	ENGR	J. AMADO	12/01/95
ALL DIMENSIONS ARE IN INCHES	MFG	D. LEVY	10/17/06
DIMENSIONING & TOLERANCING PER ASME Y14.5M-1994	Q.A.	B. RUBENI	07/03/97
TOLERANCES:	APPROVED	J. KLEIN	12/28/95
XX ±.01 FRACT = ±1/32	DRAWN IN	ACAD	
XXX ±.005 ANG. = ±1/2°			
SURFACE ROUGHNESS MACHINED PARTS V63 MOLDED PARTS V32			
HOLE DIA. TOLERANCE			
.0135 - .125 ±.001			
.126 - .250 ±.005			
.251 - .500 ±.006			
.501 - .750 ±.008			

AeroAntenna Technology Inc			
TITLE: GPS ANTENNA			
SIZE: B	CAGE CODE: OUVG2	DRAWING NO.: AT575-14	REV: G
SCALE: NONE	I:\CAD\AT575\14\AT575-14G		SHEET 1 OF 1

NEXT ASSY

AT575-14