

PROPRIETARY NOTICE: This document contains proprietary information of AAT Inc. neither the document nor said proprietary information shall be published, reproduced, copied, disclosed or used for any purpose other than consideration of this document without the express written permission of a duly authorized representative of said Company.

| REVISIONS | | | |
|-----------|---------------------|----------|----------|
| SYM | DESCRIPTION | DATE | APPROVED |
| P | UPDATE PER ECO 8980 | 10/28/09 | |

NOTES: UNLESS OTHERWISE SPECIFIED.

- 1 LABEL SIZE, SHAPE, CONTENTS AND LOCATION ARE SUBJECT TO CHANGE WITHOUT NOTICE.
- 2 ITEMS SUPPLIED BY AEROANTENNA.
- 3. TOLERANCES: .XX = ±.03
.XXX = ±.010

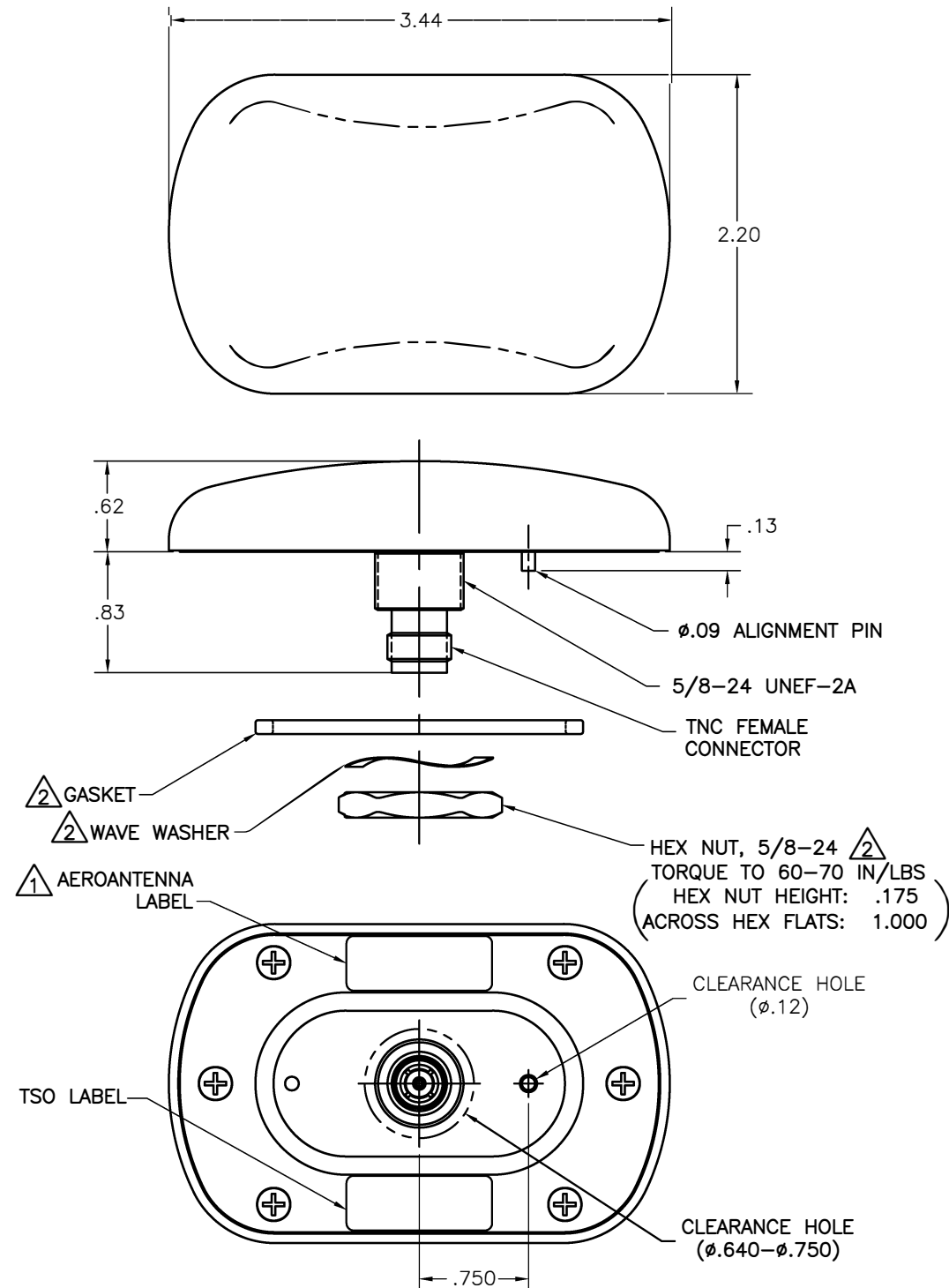
REFERENCE DOCUMENTS:
INSTALLATION DRAWING AT5751950

SPECIFICATION:

FREQUENCY: 1575 MHz ±10 MHz
 POLARIZATION: RIGHT HAND CIRCULAR
 AXIAL RATIO: 3 dB MAX
 RADIATION COVERAGE: 4.0 dBic 0° = 0°
 -1.0 dBic 0° < θ < 75°
 -2.5 dBic 75° ≤ θ < 80°
 -4.5 dBic 80° ≤ θ < 85°
 -7.5 dBic θ = 90°
 VOLTAGE: SPECIFY WHEN ORDERING
 AMPLIFIER:
 NOISE FIGURE: 2.5 dB MAX
 IMPEDANCE: 50 OHM
 VSWR: ≤2.0:1
 BAND REJECTION: 35 dB
 POWER HANDLING: 1 WATT
 FINISH: FLUID RESISTANT, POLYURETHANE ENAMEL
 WEIGHT: 4 OZ
 ALTITUDE: 55,000'
 OPERATING TEMP: -55°C TO +85°C
 DESIGNED TO: D0-160D,
 ENV CAT: F2-ABB[S(CLMY)U(FF1)]XSFDZSXXXCPX[A3][2A]CX
 TSO: C-144 (♦ DOES NOT APPLY TO THE 14 dB OPTION)



03-9243358 :0קפ ▪ 03-9243352 :70 ▪ ת"פ 7042 .T.J.14 םדא 'ת
 www.hypertech.co.il ▪ sales@hypertech.co.il



PART NO. DESIGNATION:
 AT575-12XXX-XXXX-XXX-XX-XX-XX

CUSTOMER ID (IF APPLICABLE) _____
 COLOR _____
 W = WHITE
 S = SMOKE GRAY
 O = OLIVE DRAB
 CONNECTOR _____
 TNCF = TNC FEMALE
 CABLE LENGTH _____
 * 000 = IN INCHES

MAGNET
 NM = NO MAGNET
 GAIN (± 2 db)
 00 = PASSIVE
 ♦ 14 = 14 db (20 mA)
 26 = 26.5 db (35 mA)
 36 = 36 db (50 mA)
 XX = OTHER
 VOLTAGE
 05 = 5 VDC
 RG = 5-18 VDC

* = OPTION NOT AVAILABLE WITH THIS MODEL
 STANDARD MODEL = AT575-12W-TNCF-000-RG-26-NM

| | | |
|---|------------------------------------|--|
| DO NOT SCALE THIS DRAWING REMOVE BURRS AND BREAK SHARP EDGES: PART TO BE CLEAN AND OIL FREE ALL DIMENSIONS ARE IN INCHES DIMENSIONING & TOLERANCING PER ASME Y14.5M-1994 TOLERANCES: .XX = ±.01 FRACT = ±1/32 .XXX = ±.005 ANG. = ±1/2° ✓ SURFACE ROUGHNESS MACHINED PARTS V63 MOLDED PARTS V32 | DRAWN L. TIVAROVSKY 03/06/97 | AeroAntenna Technology Inc AS9100 CERTIFIED CO. |
| HOLE DIA. TOLERANCE .0135 - .125 +.004 .126 - .250 +.005 .251 - .500 +.006 .501 - .750 +.008 | CHECKED E. GALBAN 03/19/97 | |
| NEXT ASSY | ENGR T. JEENSALUTE 03/19/97 | TITLE GPS ANTENNA |
| | MFG D. LEVY 05/21/03 | SIZE B |
| | Q.A. B. RUBENI 03/28/97 | CAGE CODE OUVG2 |
| | APPROVED G. SHAR 03/26/97 | DRAWING NO. AT575-12 |
| | DRAWN IN ACAD | REV P |
| | | SCALE NONE |
| | | I:\CAD\AT575\12\AT575-12_P |
| | | SHEET 1 OF 1 |