

PROPRIETARY NOTICE: This document contains proprietary information of AAT Inc. neither the document nor said proprietary information shall be published, reproduced, copied, disclosed or used for any purpose other than consideration of this document without the express written permission of a duly authorized representative of said Company.

REVISIONS			
SYM	DESCRIPTION	DATE	APPROVED
D	SEE ECO 5247	09/13/02	

NOTES: UNLESS OTHERWISE SPECIFIED.

1 LABEL SIZE, SHAPE, CONTENTS AND LOCATION SUBJECT TO CHANGE WITHOUT NOTICE.

2 LOGO OPTIONAL.

3. TOLERANCES: .XX ± .03
.XXX ± .010

SPECIFICATION:

FREQUENCY: 1525-1585 MHz (L+L1)
1217-1237 MHz (L2)

POLARIZATION: RIGHT HAND CIRCULAR

AXIAL RATIO: 3 dB MAX

RADIATION COVERAGE: 6.0 dBic 0° = 0°
-2.0 dBic 0° < θ < 75°
-3.0 dBic 75° ≤ θ < 80°
-4.0 dBic 80° ≤ θ < 85°
-5.0 dBic HORIZON

AMPLIFIER:

NOISE FIGURE: 2.6 dB MAX

IMPEDANCE: 50 OHMS

VSWR: ≤2.0:1

BAND REJECTION: 20 dB @ 250 MHz

POWER HANDLING: 1 WATT

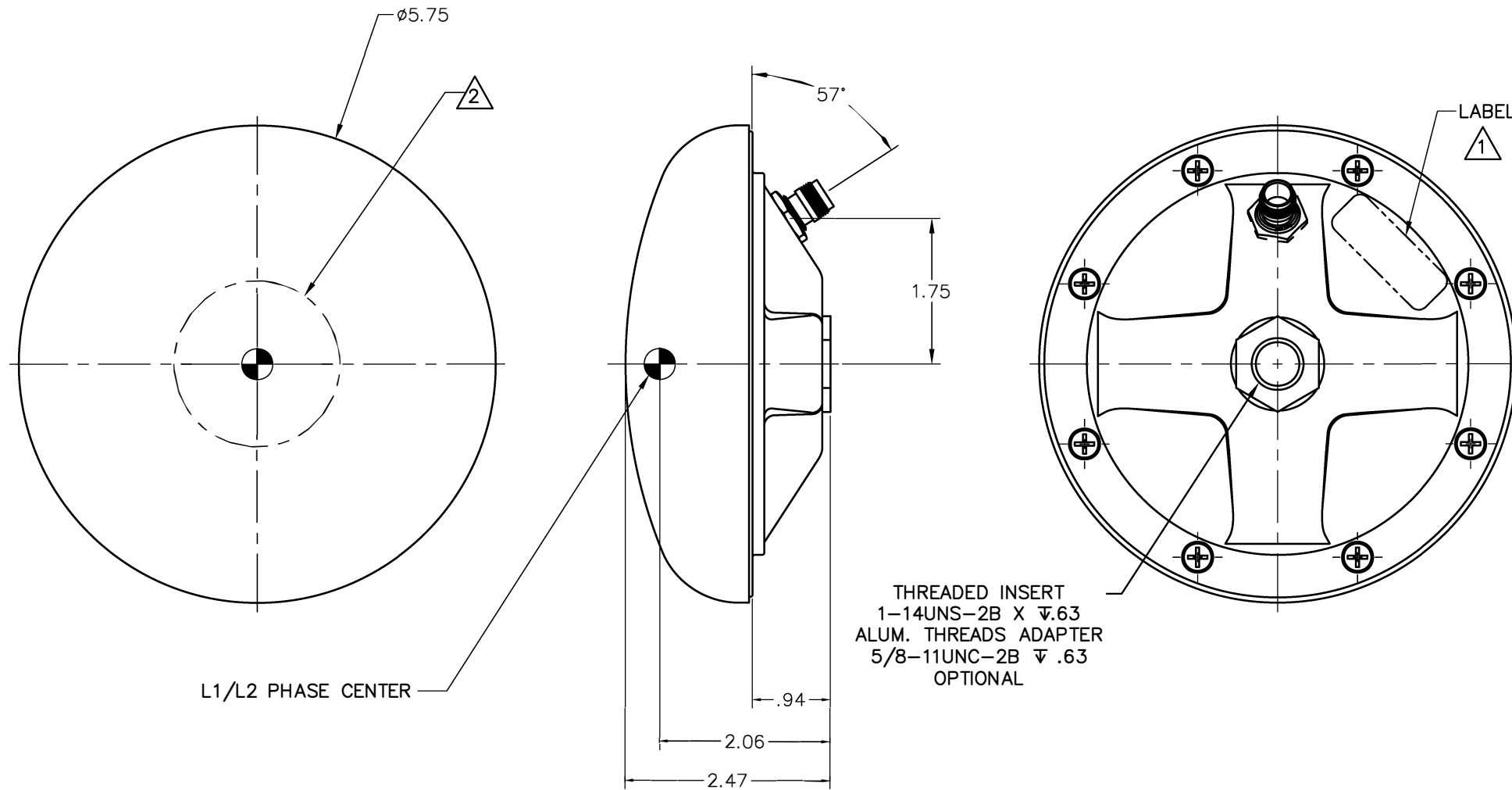
FINISH: FLUID RESISTANT

WEIGHT: 1.00 LBS. MAX

ALTITUDE: 70,000'

OPERATING TEMP: -55°C TO +85°C

DESIGNED TO: D0-160D
ENV CAT: E1-ABB[CLMY]XSFDZAAACPH[A3][2A]CA



PART NO. DESIGNATION:

AT2775-82W-TNCF-000-RG-39-NM

COLOR
W = WHITE
S = SMOKE GRAY
O = OLIVE DRAB

CONNECTOR
SMAF = SMA FEMALE
BNCM = BNC MALE
TNCF = TNC FEMALE

CABLE LENGTH
* 000 = IN INCHES

MAGNET
NM = NO MAGNET

GAIN (± 2 dB)
00 = PASSIVE
14 = 14 dB (28 mA)
26 = 26 dB (40 mA)
39 = 39 dB (60 mA)
XX = OTHER

VOLTAGE
RG = 4.2 TO 15.0 VDC

* = OPTION NOT AVAILABLE WITH THIS MODEL

STANDARD MODEL= AT2775-82W-TNCF-000-RG-39-NM

03-9243358 :פקס ▪ 03-9243352 :טל ▪ 7042 פ"ת, 14, ת.ד. אודם 14, רח'
www.hypertech.co.il ▪ sales@hypertech.co.il



DO NOT SCALE THIS DRAWING	DRAWN K. SCHNORR 7/9/01				
ALL DIMENSIONS ARE IN INCHES DIMENSIONING & TOLERANCING PER ANSI Y14.5M-1982	CHECKED K. RERKSAWAT 08/13/01				
TOLERANCES: .XX = ±.01 -XXX = ±.005 FRACT = ±1/32 ANG. = ±1/2°	ENGR T. JEENSALUTE 08/13/01	<p>TITLE</p> <p>GPS ANTENNA, L1/L2 AND L-BAND</p>			
✓ SURFACE ROUGHNESS PER ANSI B46.1	MFG D. LEVY 08/25/01				
REMOVE BURRS AND BREAK SHARP EDGES: PART TO BE CLEAN AND OIL FREE	Q.A. B. RUBENI 08/13/01	SIZE B	CAGE CODE OUVG2	DRAWING NO. AT2775-82	REV D
AT2775-82	APPROVED G. SHAR 08/13/01	SCALE NONE I\CAD\AT2775\82\AT2775-82D		SHEET 1 OF 1	
USED ON	UNLESS OTHERWISE SPECIFIED	DRAWN IN ACAD			