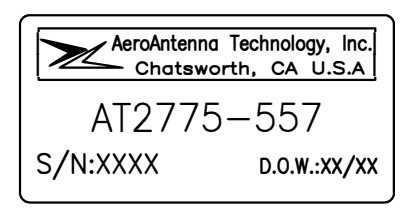
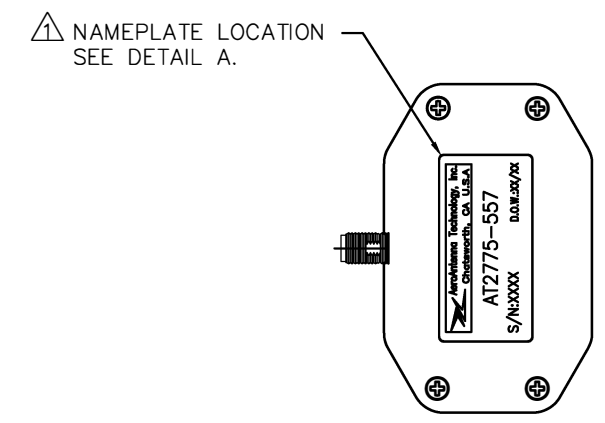
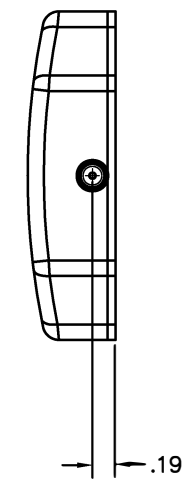
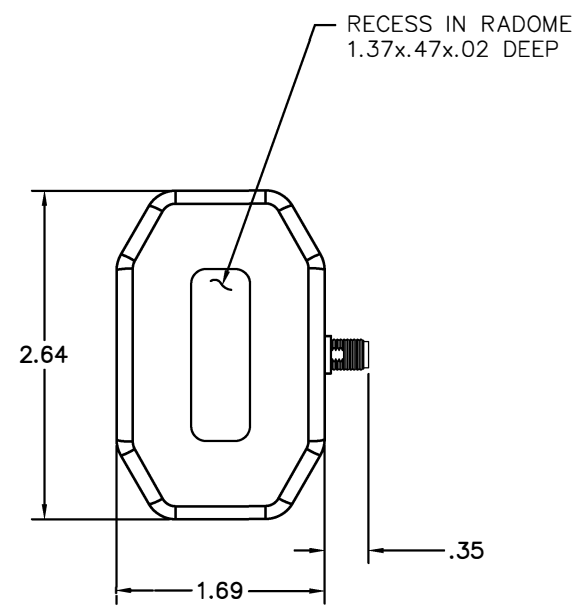
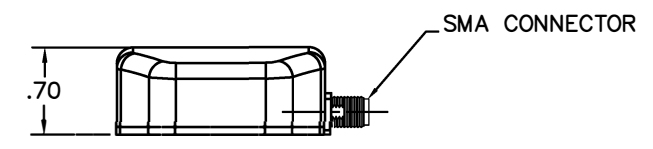


REVISIONS			
SYM	DESCRIPTION	DATE	APPROVED
A	RELEASE PER ECO 9024	12/10/09	

NOTES: UNLESS OTHERWISE SPECIFIED.
 △ NAMEPLATE LOCATION AND ORIENTATION.
 2. TOLERANCE: .XX = ±.04
 .XXX = ±.010



DETAIL A
SCALE: 2:1



SPECIFICATION:

FREQUENCY: 1227±10 MHz & 1575±10 MHz
 POLARIZATION: RIGHT HAND CIRCULAR
 NOISE FIGURE: 2.5dB MAX
 IMPEDANCE: 50 OHMS
 VSWR ≤ 2.0:1
 GAIN: 26 ± 2 dB
 AXIAL RATIO: 3 dB MAX @ BORESIGHT
 POWER HANDLING: 1 WATT
 VOLTAGE: + 2.5 TO + 5.5 VDC
 CURRENT: 60 mA MAX
 CONNECTOR: SMA = SMA JACK
 WEIGHT: 130.6 g
 MATERIAL: BASE: AL-ALLOY, CHEM FILMED PER MIL-C-5541, CLASS 1A
 RADOME: XENYO, PDX 02841 UV, OLIVE GREEN IN COLOR.
 OPERATING TEMP: -50°C TO +70°C



רמ' אודם 14, ת.ד. 7042 פ"ת ▪ 03-9243352 :טל ▪ 03-9243358 :פקס
 www.hypertech.co.il ▪ sales@hypertech.co.il



DO NOT SCALE THIS DRAWING	DRAWN	S. VALDES	11/23/09
REMOVE BURRS AND BREAK SHARP EDGES:	CHECKED	I. SIROTIN	11/23/09
PART TO BE CLEAN AND OIL FREE	ENGR		
ALL DIMENSIONS ARE IN INCHES	MFG		
DIMENSIONING & TOLERANCING PER ASME Y14.5M-1994	Q.A.		
TOLERANCES: .XX = ±.01 FRACT = ±1/32 .XXX = ±.005 ANG. = ±1/2°	APPROVED		
✓ SURFACE ROUGHNESS MACHINED PARTS V63 MOLDED PARTS V32	DRAWN IN	CAD	
HOLE DIA. TOLERANCE			
.0135 - .125 +.004 - .001			
.126 - .250 +.005 - .001			
.251 - .500 +.008 - .001			
.501 - .750 +.008 - .001			

AeroAntenna Technology Inc
AS9100 CERTIFIED CO.

TITLE: LOW PROFILE L1/L2 ANTENNA

SIZE	CAGE CODE	DRAWING NO.	REV
B	OUVG2	AT2775-557	A

SCALE: NONE | I:\CAD\AT2775\557\AT2775-557_A | SHEET 1 OF 1

PROPRIETARY NOTE: This document contains information of AeroAntenna Technology Inc. (AAT). Neither the document nor said proprietary information shall be published, reproduced, copied, disclosed or used for any other purpose other than consideration of document without the express written permission of a duly authorized representative of said AeroAntenna Technology Inc.