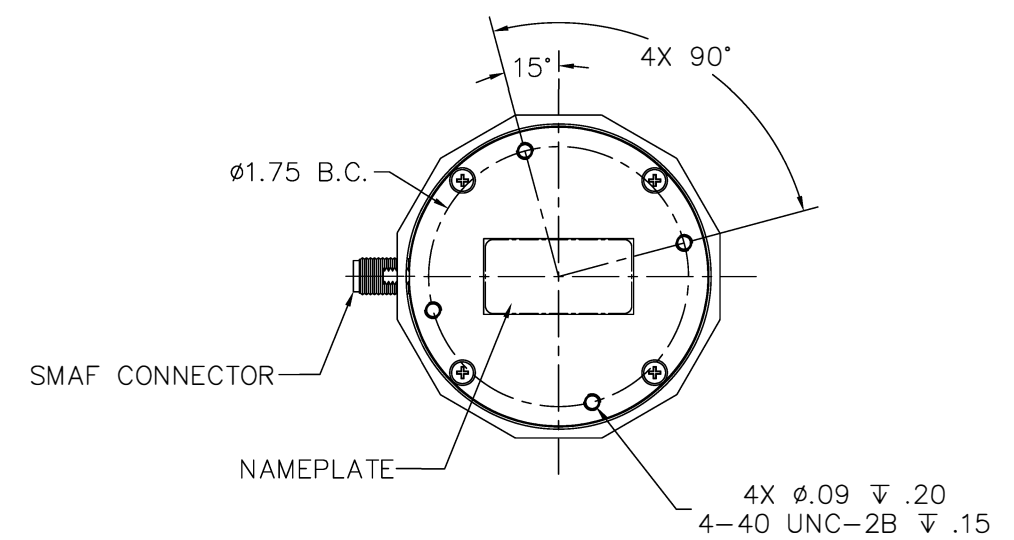
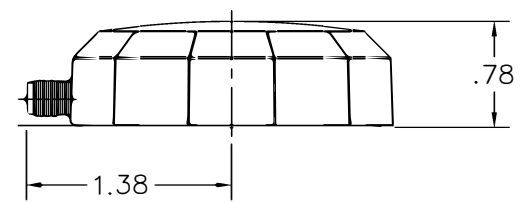
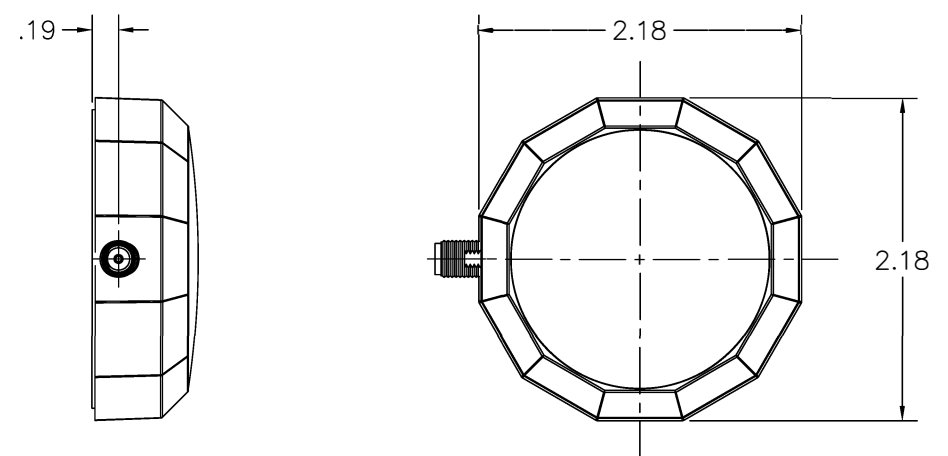


REVISIONS			
SYM	DESCRIPTION	DATE	APPROVED
B	UPDATE PER ECO 9459	10/14/10	
⊕	LOCATION OF MOUNTING HOLES (4X) PATTERN CHANGED		

NOTES: UNLESS OTHERWISE SPECIFIED.
 1. NAMEPLATE LOCATION AND ORIENTATION.
 2. TOLERANCE: .XX = ±.04
 .XXX = ±.010

SPECIFICATION:

FREQUENCY: 1227±10 MHz & 1575±10 MHz
 POLARIZATION: RIGHT HAND CIRCULAR
 NOISE FIGURE: 2.5dB MAX
 IMPEDANCE: 50 OHMS
 VSWR ≤ 2.0:1
 GAIN: 24 ± 3 dB
 AXIAL RATIO: 3 dB MAX @ BORESIGHT
 POWER HANDLING: 1 WATT
 VOLTAGE: + 2.5 TO + 5.5 VDC
 CURRENT: 60 mA MAX
 WEIGHT: .175 LBS



PART NO. DESIGNATION:

AT2775-304T-SMAF-000-XX-XX-NM
 COLOR _____
 T = DESERT TAN 380 IAW
 FED-STD-595
 COLOR #33446
 O = OLIVE
 CONNECTOR _____
 SMAF = SMA FEMALE
 CABLE LENGTH _____
 000 = IN INCHES
 MAGNET
 NM = NO MAGNET
 GAIN (± 2 dB)
 26 = 26dB (60 mA MAX)
 VOLTAGE
 RG = +2.5 TO +5.5 VDC

STANDARD MODEL= AT2775-304T-SMAF-000-RG-26-NM

03-9243358 :סקפ ▪ 03-9243352 :טל ▪ 7042 פ"ת , ת.ד. 14, אודם 14
 www.hypertech.co.il ▪ sales@hypertech.co.il



DO NOT SCALE THIS DRAWING REMOVE BURRS AND BREAK SHARP EDGES: PART TO BE CLEAN AND OIL FREE ALL DIMENSIONS ARE IN INCHES DIMENSIONING & TOLERANCING PER ASME Y14.5M-1994 TOLERANCES: XX = ±.04 FRACT = ±1/32 XXX = ±.005 ANG. = ±1/2°	DRAWN A. GUTIERREZ 10/23/09	 AS9100 CERTIFIED CO.
✓ SURFACE ROUGHNESS MACHINED PARTS V63 MOLDED PARTS V32	CHECKED S. VALDES 10/23/09	
HOLE DIA. TOLERANCE	ENGR E. NABOYSHCHIKOV 10/23/09	TITLE LOW PROFILE L1/L2 ANTENNA
.0135 - .125 +.001 -.001	MFG DANNY LEVY 01/14/10	SIZE B
.126 - .250 +.005 -.001	Q.A. B. RUBENI 01/14/10	CAGE CODE OUVG2
.251 - .500 +.008 -.001	APPROVED YOUSI Z. 01/21/10	DRAWING NO. AT2775-304
.501 - .750 +.008 -.001	DRAWN IN CAD	REV B

PROPRIETARY NOTE: This document contains information of AeroAntenna Technology Inc. (AAT). Neither the document nor said proprietary information shall be published, reproduced, copied, disclosed or used for any other purpose other than consideration of document without the express written permission of a duly authorized representative of said AeroAntenna Technology Inc.

NEXT ASSY

SCALE NONE	I:\CAD\AT2775\304\AT2775-304_B	SHEET 1 OF 1
---------------	--------------------------------	-----------------