

REVISED BY:		DATE:		REVISIONS	
REV.	DESCRIPTION	DATE	APPROVED		
E	REVISED PER ECO11914 UPDATED LABEL	10/22/15			

NOTES: UNLESS OTHERWISE SPECIFIED.
 1. SIZE, SHAPE, AND CONTENTS OF NAME PLATE ARE SUBJECT TO CHANGE WITHOUT NOTICE.
 2. TOLERANCE: .XX = ±.03
 .XXX = ±.010



SPECIFICATION:

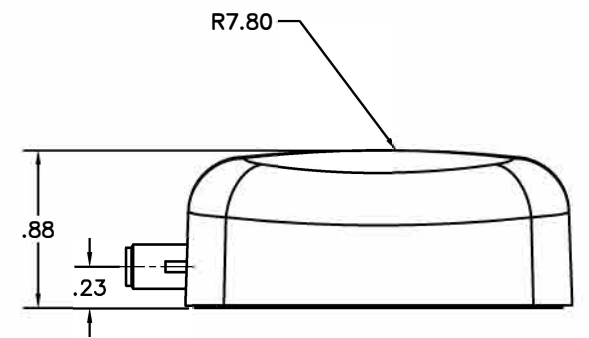
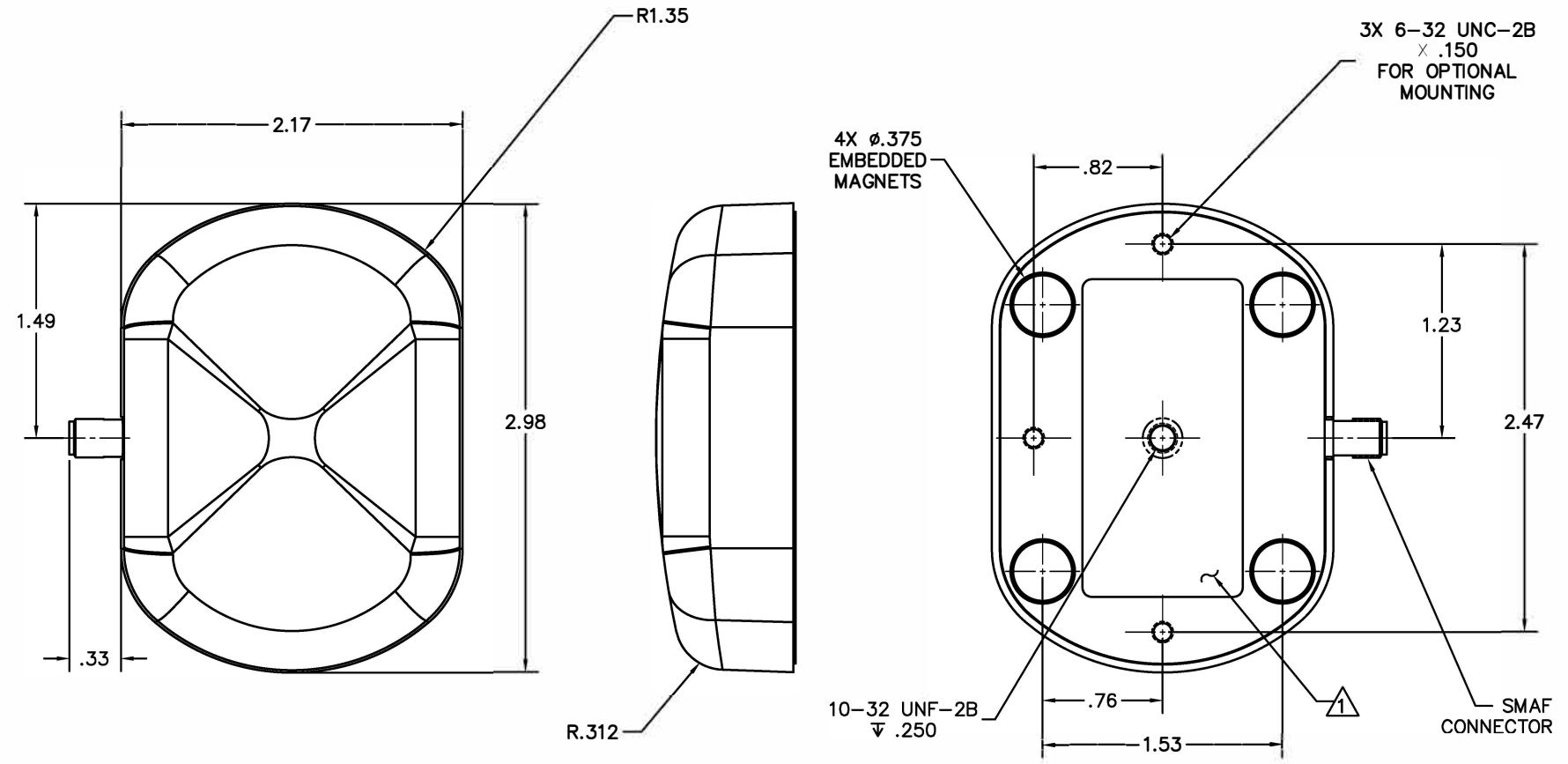
FREQUENCY: 1227±10 MHz & 1575±10 MHz
 POLARIZATION: RIGHT HAND CIRCULAR
 IMPEDANCE: 50 OHMS
 VSWR: ≤2.0:1
 WEIGHT: 4.47 OZ
 ALTITUDE: 20,000'
 OPERATING TEMP: -50°C TO +70°C
 STORAGE TEMP: -57°C TO +70°C

PART NO. DESIGNATION:

AT2775-1030-SMAF-XXX-XX-XX-NM

COLOR	MAGNET
W = WHITE	IM = INTERNAL
B = BLACK	GAIN (± 2 dB)
O = OLIVE DRAB	00 = PASSIVE
CONNECTOR	26 = 26 dB (38 mA)
SMAF = SMA FEMALE	XX = OTHER
CABLE LENGTH	VOLTAGE
* 000 = IN INCHES	00 = PASSIVE
	03 = 3 VDC(+2.5 TO +5.5VDC)

* = OPTION NOT AVAILABLE WITH THIS MODEL
 STANDARD MODEL= AT2775-1030-SMAF-000-03-26-IM



AeroAntenna Technology, Inc.
 Chatsworth, CA, U.S.A.
 S/N:XXXXXX DOW:MM/YY
 AT2775-1030-SMAF-000-03-26-IM

DO NOT SCALE THIS DRAWING REMOVE BURRS AND BREAK SHARP EDGES. PART TO BE CLEAN AND OIL FREE ALL DIMENSIONS ARE IN INCHES DIMENSIONING & TOLERANCING PER ASME Y14.5M-1994 TOLERANCES: .XX = ±.01 FRACT = ±1/32 .XXX = ±.005 ANG. = ±1/2°	DRAWN S. VALDES 11/19/01
✓ SURFACE ROUGHNESS MACHINED PARTS V63 MOLDED PARTS V32	CHECKED GABRIEL S. 10/28/15
HOLE DIA. TOLERANCE	ENGR STEVE VALDES 10/28/15
.0135 - .125 +.004/-0.01	MFG WAYNE FORD 10/28/15
.126 - .250 +.005/-0.01	Q.A. B. RUBENI 10/28/15
.251 - .500 +.008/-0.01	APPROVED YOUSI ZADEH 10/28/15
.501 - .750 +.008/-0.01	DRAWN IN CAD



TITLE LOW PROFILE L1/L2 ANTENNA			
SIZE B	CAGE CODE OUVG2	DRAWING NO. AT2775-103	REV E
SCALE NONE	I:\CAD\AT2775\103\AT2775-103_E		SHEET 1 OF 1

03-9243358 :סקפ ▪ 03-9243352 :טל ▪ 7042 פ"ת ▪ ת.ד. 14, אודם 14
 www.hypertech.co.il ▪ sales@hypertech.co.il



PROPRIETARY NOTE: This document contains information of AeroAntenna Technology Inc. (AAT). Neither the document nor said proprietary information shall be published, reproduced, copied, disclosed or used for any other purpose other than consideration of document without the express written permission of a duly authorized representative of said AeroAntenna Technology Inc.

AT2775-103

D

C

B

A