

8 7 6 5 4 3 2 1

REVISIONS			
SYM	DESCRIPTION	DATE	APPROVED
E	UPDATED PER ECO 9280	06/22/10	
CHANGE RADOME'S RADIUS FROM R.38 TO R.44			

NOTES: UNLESS OTHERWISE SPECIFIED.

- 1. MOUNTING SCREWS AND O-RING SUPPLIED BY AEROANTENNA.
- 2. LABEL SIZE, SHAPE, CONTENTS AND LOCATION ARE SUBJECT TO CHANGE WITHOUT NOTICE.
- 3. TOLERANCE: .XX = ±.03  
.XXX = ±.010

PART NO. DESIGNATION:  
AT2300-326XXX-XXXX-XXX-XX-XX-XX

CUSTOMER ID (IF APPLICABLE) \_\_\_\_\_ MAGNET  
NM = NO MAGNET

COLOR \_\_\_\_\_ GAIN (±3 dB)  
W = WHITE 29.5 = 29.5

CONNECTOR \_\_\_\_\_ VOLTAGE  
TNCF = TNC FEMALE RG = 4.5-15 VDC

CABLE LENGTH \_\_\_\_\_  
\* 000 = IN INCHES

GPS SPECIFICATION:  
FREQUENCY: 1575.42 ±10.23 MHz  
POLARIZATION: RIGHT HAND CIRCULAR  
AXIAL RATIO: 3 dB MAX AT BORE SIGHT  
RELATIVE RADIATION: PER DO-301  
COVERAGE:

AMPLIFIER: (GPS)  
GAIN: 29.5 ±3 dB  
NOISE FIGURE: 2.5 dB MAX. @25°C  
IMPEDANCE: 50 OHMS  
VSWR: ≤1.5:1  
POWER HANDLING: 1 WATT  
VOLTAGE: 4.5-15 VDC  
CURRENT: 60 mA MAX.  
CONNECTOR (GPS): TNCF

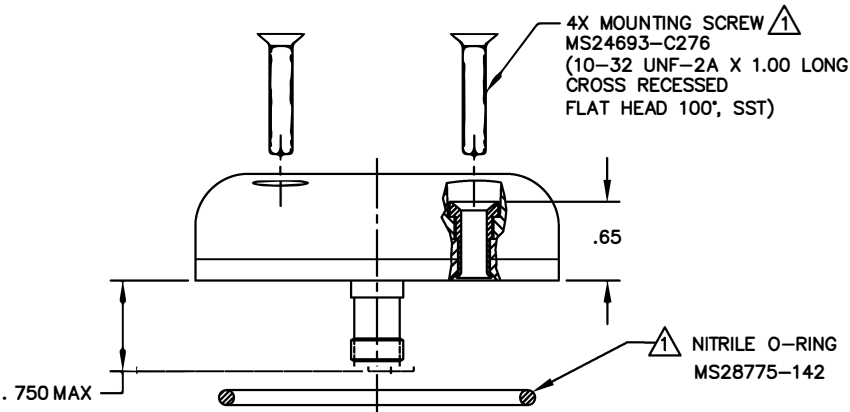
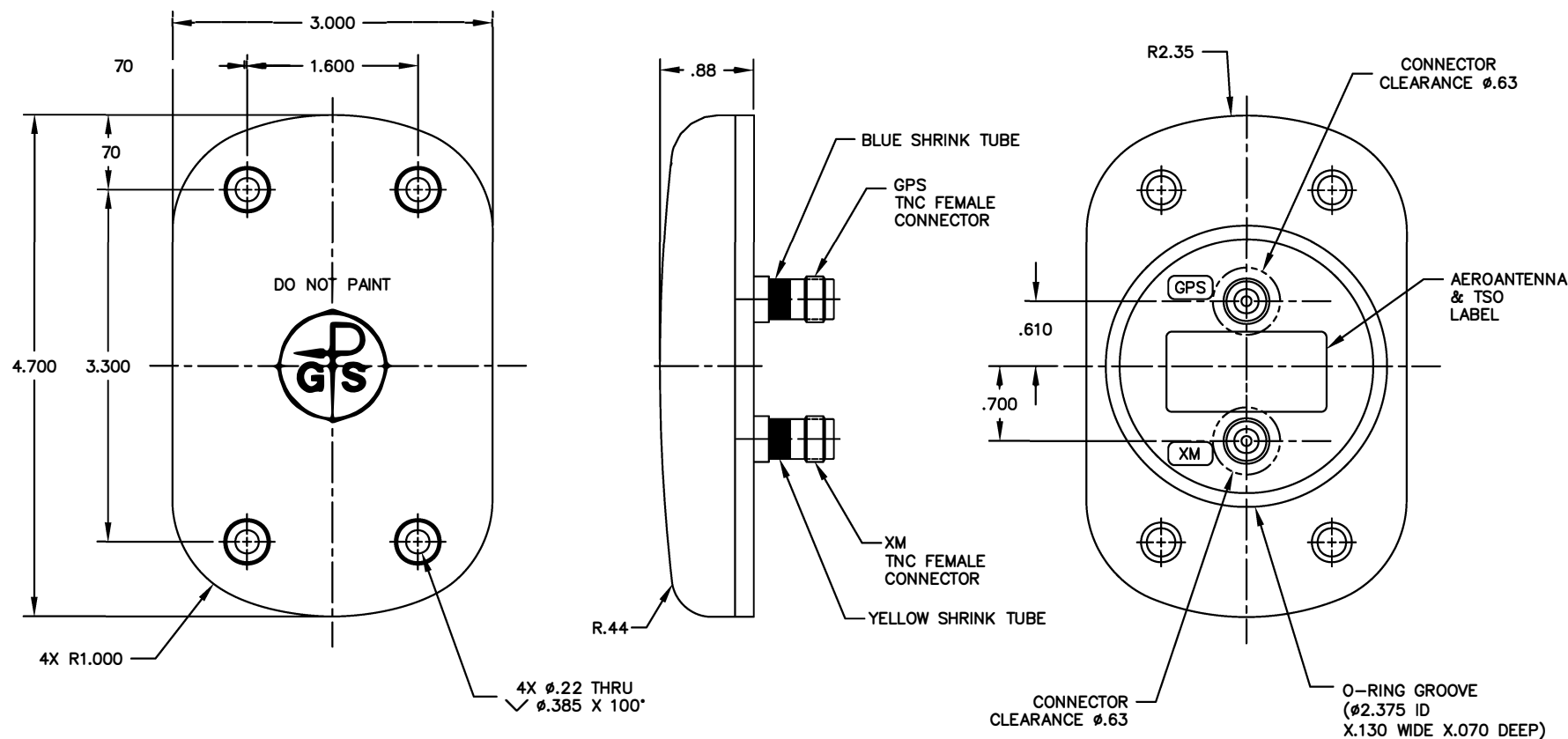
XM SPECIFICATION:  
FREQUENCY: 2332.5-2345 MHz  
POLARIZATION: LEFT HAND CIRCULAR  
AXIAL RATIO: 3 dB MAX AT BORE SIGHT  
RADIATION COVERAGE: ELEVATION ANGLE MINIMUM GAIN ON Ø36" GP  
20° +0.0 dBic  
25° +0.5 dBic  
5° INCREMENTS @ 30° ≤ θ ≤ 60° +2.0 dBic  
BORE SIGHT -2.35 dBic

AMPLIFIER (XM):  
GAIN: 24±2 dB  
NOISE FIGURE: 1.1 dB MAX. @ 25°C, 1.5 dB MAX OVER TEMPERATURE  
IMPEDANCE: 50 OHMS  
VSWR: ≤1.5:1  
BAND REJECTION: 25 dB @ F±230MHz  
INPUT IP3: -3 dBm (MIN)  
DC VOLTAGE: 3.6-5.5 VDC  
DC CURRENT: 55 mA MAX  
CONNECTOR(XM): TNCF

FINISH: WEATHERABLE POLYMER  
WEIGHT: 8 OZ MAX.  
ALTITUDE: 55,000'  
OPERATING TEMP: -55°C TO +70°C  
STORAGE TEMP: -55°C TO +85°C  
DESIGNED TO: DO-160E,  
ENV CAT: F2-AB[BD][S(CLMY)U(FF1)]X[SY]FSXSZXXX[ZCZW]YH[A4J44][2A]CAC  
RTCA/DO-301  
TSO: C190



AT2300-326



DO NOT SCALE THIS DRAWING	DRAWN	J. GUTIERREZ	08/23/07
REMOVE BURRS AND BREAK SHARP EDGES:	CHECKED		
PART TO BE CLEAN AND OIL FREE	ENGR	K. RERKSAWAT	12/13/07
ALL DIMENSIONS ARE IN INCHES	MFG	D. LEVY	02/06/08
DIMENSIONING & TOLERANCING PER ASME Y14.5M-1994	Q.A.	B. RUBENI	02/06/08
TOLERANCES:	APPROVED		
XX - ±.04 FRACT = ±1/32			
XXX - ±.005 ANG. = ±1/2°			
✓ SURFACE ROUGHNESS MACHINED PARTS V63 MOLDED PARTS V32			
HOLE DIA.	TOLERANCE		
.0135 - .125	+0.04 -0.01		
.126 - .250	+0.05 -0.01		
.251 - .500	+0.06 -0.01		
.501 - .750	+0.08 -0.01		
NEXT ASSY	DRAWN IN	CAD	

**AeroAntenna Technology Inc**  
AS9100 CERTIFIED CO.

TITLE: GPS/XM ANTENNA

SIZE	CAGE CODE	DRAWING NO.	REV
B	OUVG2	AT2300-326	E

SCALE: NONE | I:\CAD\AT2300\326\AT2300-326\_E | SHEET 1 OF 1

03-9243358 :ספד ▪ 03-9243352 :טל ▪ 7042 פ"ת .ת.ד. 14, אודם  
www.hypertech.co.il ▪ sales@hypertech.co.il

**היפר-טק**  
מ ע ר כ ו ת

PROPRIETARY NOTE: This document contains information of AeroAntenna Technology Inc. (AAT). Neither the document nor said proprietary information shall be published, reproduced, copied, disclosed or used for any other purpose other than consideration of document without the express written permission of a duly authorized representative of said AeroAntenna Technology Inc.