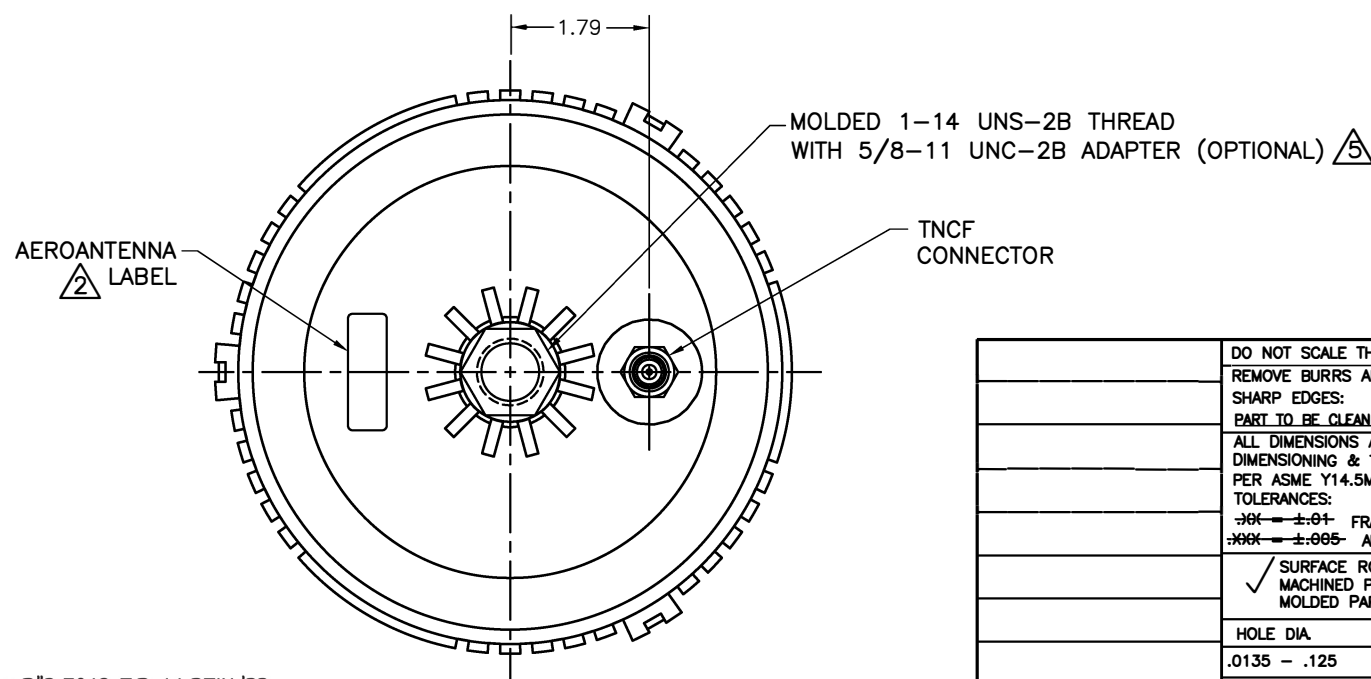
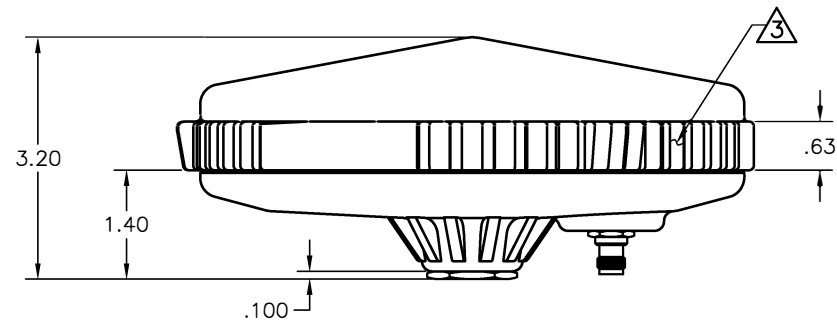
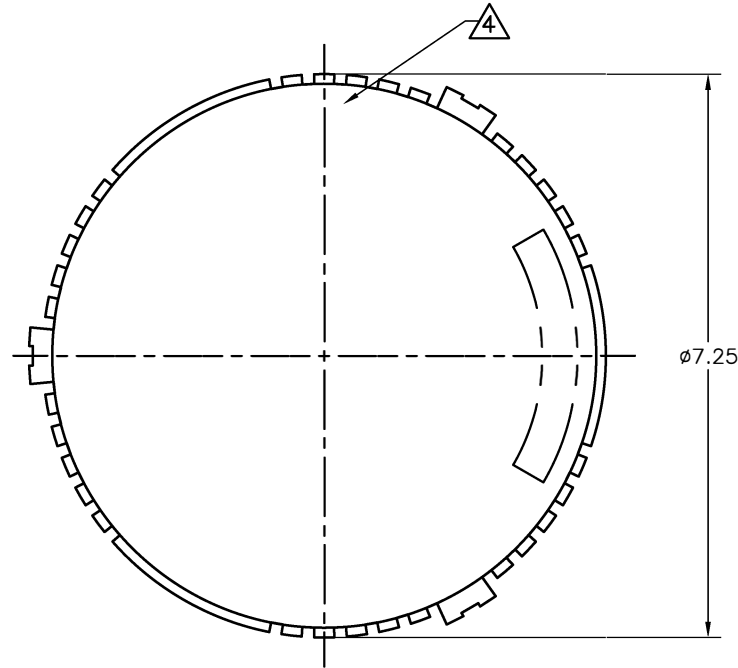


PROPRIETARY NOTICE: This document contains proprietary information of AAT Inc. neither the document nor said proprietary information shall be published, reproduced, copied, disclosed or used for any purpose other than consideration of this document without the express written permission of a duly authorized representative of said Company.

REVISIONS			
SYM	DESCRIPTION	DATE	APPROVED
A	PRODUCTION RELEASE PER ECO 8566	12/17/08	

- NOTES: UNLESS OTHERWISE SPECIFIED
- LOGO OPTIONAL.
  - LABEL SIZE, SHAPE, AND CONTENTS SUBJECT TO CHANGE WITHOUT NOTICE.
  - COLOR OPTIONAL: RED  
BLUE  
BLACK
  - LOGO OPTIONAL LOCATION.
  - INSERT NOT INCLUDED WITH ANTENNA.
  - TOLERANCES: .XX ± .03  
.XXX ± .010



**SPECIFICATION:**

FREQUENCY: 1590 ±25 MHz  
1238 ±21.5 MHz  
POLARIZATION: RIGHT HAND CIRCULAR  
AXIAL RATIO: 3 dB MAX @ BORESIGHT  
RADIATION COVERAGE: TBD

AMPLIFIER:  
NOISE FIGURE: 2.5 dB MAX  
IMPEDANCE: 50 OHMS  
VSWR: ≤2.0:1  
BAND REJECTION: 20 dB @ 250 MHz  
VOLTAGE: +4.25 TO +15 VDC  
CURRENT: 70 MAX  
CONNECTOR: TNCF BULKHEAD  
WEIGHT: 1.36 LBS  
OPERATING TEMP: -40°C TO +75°C  
DESIGNED TO: DO-160



**PART NO. DESIGNATION:**

AT1675-7W-XXXX-XXX-XX-XX-NM-R

CONNECTOR \_\_\_\_\_  
TNCFB = TNCF BULKHEAD

CABLE LENGTH \_\_\_\_\_  
000 = IN INCHES

RoHS COMPLIANT  
R = RoHS COMPLIANT

MAGNET  
NM = NO MAGNET

GAIN (± 3 dB)  
38 = 38 dB (70 mA)

VOLTAGE  
RG = +4.25 to +15 VDC

STANDARD MODEL= AT1675-7-TNCFB-000-RG-38-NM-R



03-9243358 :0p9 ▪ 03-9243352 :70 ▪ ת"פ 7042 .ד.ת.14 אודם 'חן  
www.hypertech.co.il ▪ sales@hypertech.co.il

DO NOT SCALE THIS DRAWING REMOVE BURRS AND BREAK SHARP EDGES: PART TO BE CLEAN AND OIL FREE ALL DIMENSIONS ARE IN INCHES DIMENSIONING & TOLERANCING PER ASME Y14.5M-1994 TOLERANCES: FRACT = ±1/32 ANG. = ±1/2° SURFACE ROUGHNESS MACHINED PARTS V63 MOLDED PARTS V32		DRAWN S. VALDES 01/01/07	 AS9100 CERTIFIED CO.
HOLE DIA. TOLERANCE .0135 - .125 ±.001 .126 - .250 ±.001 .251 - .500 ±.006 .501 - .750 ±.008		CHECKED	
NEXT ASSY		ENGR STEVE VALDES 01/08/09	TITLE L1/L2 GPS+ GLONASS ANTENNA
		MFG DANNY LEVY 01/08/09	SIZE B
		Q.A. B. RUBENI 01/08/09	CAGE CODE OUVG2
		APPROVED YOUSI Z. 01/08/09	DRAWING NO. AT1675-7
		DRAWN IN MCAD	REV A
		SCALE NONE	SHEET 1 OF 1