

8 7 6 5 4 3 2 1

REVISIONS			
SYM	DESCRIPTION	DATE	APPROVED
A	PRODUCTION RELEASE	09/08/10	

AT1675-539

NOTES: UNLESS OTHERWISE SPECIFIED.

- 1 LABEL SIZE, SHAPE, AND CONTENTS SUBJECT TO CHANGE WITHOUT NOTICE.
- 2 BUMPER COLOR: BLACK
- 3. TOLERANCES: .XX ± .03
.XXX ± .010

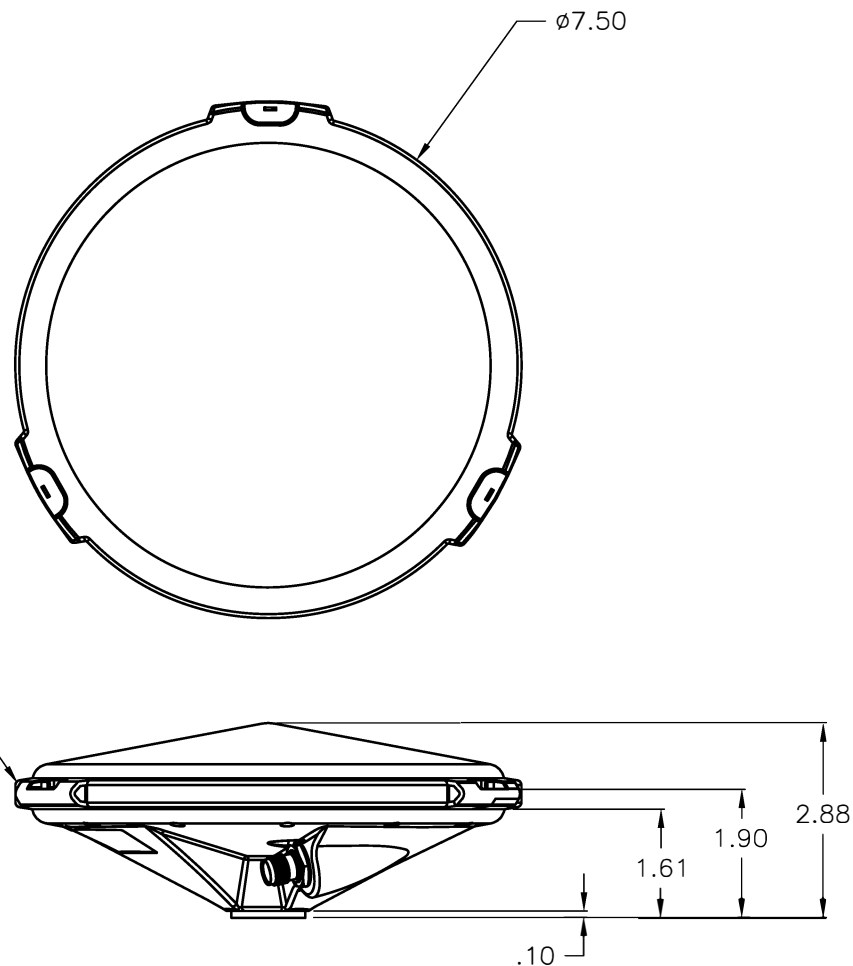
SPECIFICATION:

FREQUENCY: L1+GLONASS G1, L2+GLONASS G2+GALILEO L5
1590 ±25 MHz
1176 ±20 MHz
1238 ±21.5 MHz

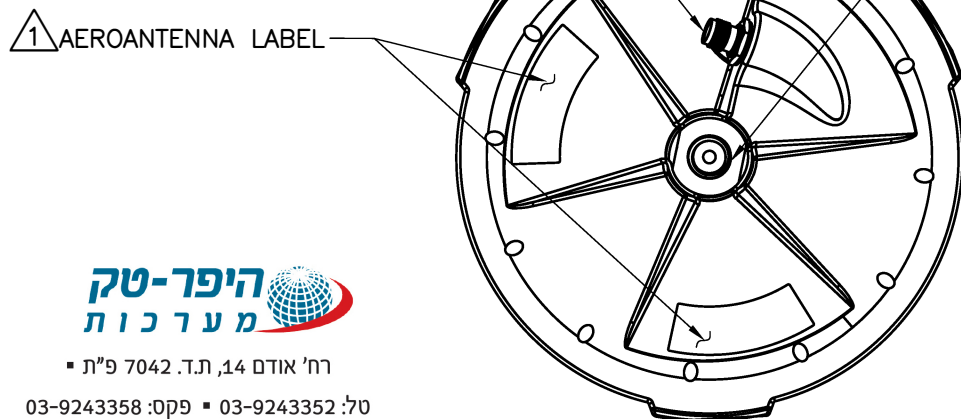
POLARIZATION: RIGHT HAND CIRCULAR
AXIAL RATIO: 3 dB MAX @ BORESIGHT
RADIATION COVERAGE: TBD

AMPLIFIER:
GAIN: 38 dB
NOISE FIGURE: 2.5 dB MAX
IMPEDANCE: 50 OHMS
VSWR: ≤2.0:1
BAND REJECTION: 20 dB @ 250 MHz
POWER HANDLING: 1 WATT

FINISH: WEATHERABLE POLYMER
WEIGHT: 18 OZ MAX
ALTITUDE: 20,000'
OPERATING TEMP: -40°C TO +70°C



TNCF CONNECTOR
5/8-11 UNC-2B ADAPTER PERMANENTLY INSTALLED



PART NO. DESIGNATION:

AT1675-539S-XXXX-XXX-XX-XX-XX-X

COLOR
S = SMOKE GRAY RAL 7035
RoHS

CONNECTOR
TNCF = TNC FEMALE
MAGNET
NM = NO MAGNET

CABLE LENGTH
* 000 = IN INCHES
GAIN (± 2 dB)
38 = 38 dB (65 mA)

VOLTAGE
RG = 4.2 TO 15.0 VDC

* = OPTION NOT AVAILABLE WITH THIS MODEL
STANDARD MODEL= AT1675-539S-TNCF-000-RG-38-NM-R

היפר-טק מערכות
רח' אודם 14, ת.ד. 7042 פ"ת
03-9243358 :פקס 03-9243352 :טל
www.hypertech.co.il ▪ sales@hypertech.co.il

PROPRIETARY NOTE: This document contains information of AeroAntenna Technology Inc. (AAT). Neither the document nor said proprietary information shall be published, reproduced, copied, disclosed or used for any other purpose other than consideration of document without the express written permission of a duly authorized representative of said AeroAntenna Technology Inc.

DO NOT SCALE THIS DRAWING REMOVE BURRS AND BREAK SHARP EDGES: PART TO BE CLEAN AND OIL FREE ALL DIMENSIONS ARE IN INCHES DIMENSIONING & TOLERANCING PER ASME Y14.5M-1994 TOLERANCES: .XX ± .01- FRACT = ±1/32 .XXX ± .005- ANG. = ±1/2°	DRAWN A. GUTIERREZ 01/15/10
✓ SURFACE ROUGHNESS MACHINED PARTS V63 MOLDED PARTS V32	CHECKED
HOLE DIA. TOLERANCE .0135 - .125 +.004 -.001 .126 - .250 +.005 -.001 .251 - .500 +.006 -.001 .501 - .750 +.008 -.001	ENGR E. NABOYSHCHIKOV 01/15/10
	MFG DANNY LEVY 9/08/10
	Q.A. B. RUBENI 9/08/10
	APPROVED YOUSIF ZADEH 9/08/10
NEXT ASSY	DRAWN IN CAD

AeroAntenna Technology Inc
AS9100 CERTIFIED CO.

TITLE
GNSS ANTENNA

SIZE B	CAGE CODE OUVG2	DRAWING NO. AT1675-539	REV A
-----------	--------------------	---------------------------	----------

SCALE NONE | I:\CAD\AT1675\539\AT1675-539_A SHEET 1 OF 1