

8

7

6

5

4

3

2

1

REVISIONS			
SYM	DESCRIPTION	DATE	APPROVED
A	PRODUCTION RELEASED PER ECO 8951	10/12/09	

NOTES: UNLESS OTHERWISE SPECIFIED.

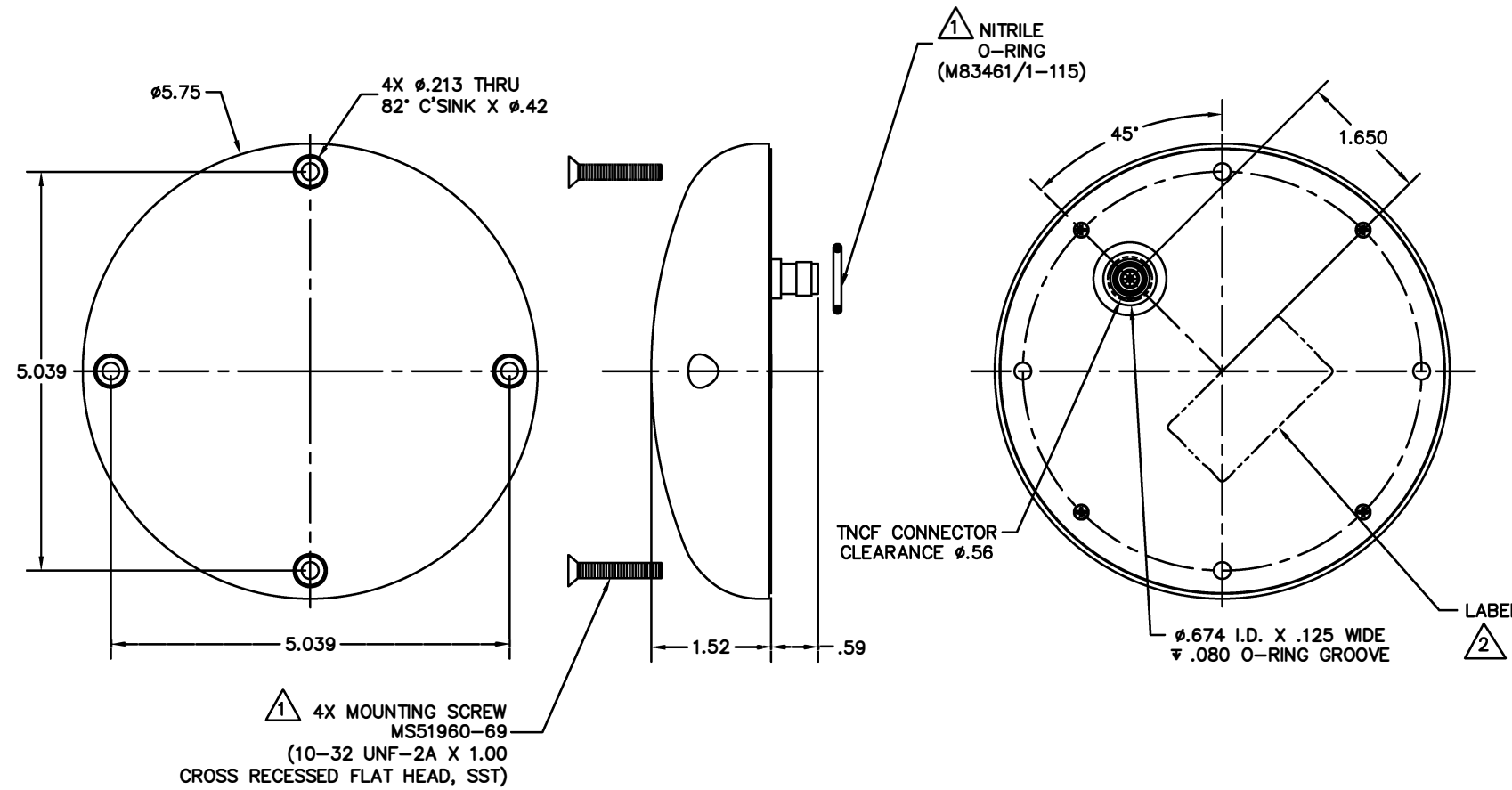
- 1 O-RING AND MOUNTING SCREWS SUPPLIED BY AEROANTENNA.
- 2 LABEL SIZE, SHAPE AND CONTENTS SUBJECT TO CHANGE WITHOUT NOTICE.
- 3 LOGO OPTIONAL.
- 4. TOLERANCES: .XX ± .03
.XXX ± .010

SPECIFICATION:

FREQUENCY: 1525-1615 MHz L-BAND, L1, Glonass (G1)
1164-1260 MHz L2, Glonass (G2), L5 (Galileo, E1, E5a, E5b)

POLARIZATION: RIGHT HAND CIRCULAR
AXIAL RATIO: 3 dB MAX @ BORESIGHT
RADIATION COVERAGE: 6.0 dBic 0° = 0°
-2.0 dBic 0° < θ < 75°
-3.0 dBic 75° ≤ θ < 80°
-4.0 dBic 80° ≤ θ < 85°

AMPLIFIER:
NOISE FIGURE: 2.6 dB MAX
IMPEDANCE: 50 OHMS
VSWR: ≤2.0:1
BAND REJECTION: 20 dB @ 250 MHz
POWER HANDLING: 1 WATT
FINISH: FLUID RESISTANT
WEIGHT: 1.0 LBS. MAX
ALTITUDE: 70,000'
OPERATING TEMP: -55°C TO +85°C
DESIGNED TO: DO-160D
ENV CAT: E1-ABB[S(CLMY)U(FF1)]XSFDZAAACPH[A3][2A]CA
TSO: INCOMPLETE TSO-C132



PART NO. DESIGNATION:
AT1675-381XXX-XXXX-XXX-XX-XX-XX

CUSTOMER ID (IF APPLICABLE)
COLOR W = WHITE
CONNECTOR TNC F = TNC FEMALE
CABLE LENGTH * 000 = IN INCHES

MAGNET NM = NO MAGNET
GAIN (± 2 dB) 00 = PASSIVE
26 = 26 dB (40 mA)
39 = 39 dB (60 mA)
41 = 41 dB (60 mA)
VOLTAGE RG = 4.2 TO 15.0 VDC

* = OPTION NOT AVAILABLE WITH THIS MODEL
STANDARD MODEL= AT1675-381W-TNCF-000-RG-39-NM

03-9243358 :פקס ▪ 03-9243352 :טל ▪ 7042 פ"ת ,14 אודם ת.ד. 7042
www.hypertech.co.il ▪ sales@hypertech.co.il



DO NOT SCALE THIS DRAWING REMOVE BURRS AND BREAK SHARP EDGES: PART TO BE CLEAN AND OIL FREE ALL DIMENSIONS ARE IN INCHES DIMENSIONING & TOLERANCING PER ASME Y14.5M-1994 TOLERANCES: .XX = ±.01 FRACT = ±1/32 .XXX = ±.005 ANG. = ±1/2°	DRAWN EDUARD N. 10/12/09
✓ SURFACE ROUGHNESS MACHINED PARTS V32 MOLDED PARTS V32	CHECKED C. FRANTZIDES 10/12/09
HOLE DIA. TOLERANCE	ENGR STEVE VALDES 10/12/09
.0135 - .125 +.004 -.001	MFG DANNY LEVY 10/13/09
.126 - .250 +.005 -.001	Q.A. B. RUBENI 10/12/09
.251 - .500 +.008 -.001	APPROVED
.501 - .750 +.008 -.001	DRAWN IN CAD



TITLE GNSS ANTENNA			
SIZE B	CAGE CODE OUVG2	DRAWING NO. AT1675-381	REV A
SCALE NONE	I: \CAD\AT1675\ -381\AT1675-381_A		SHEET 1 OF 1

PROPRIETARY NOTE: This document contains information of AeroAntenna Technology Inc. (AAT). Neither the document nor said proprietary information shall be published, reproduced, copied, disclosed or used for any other purpose other than consideration of document without the express written permission of a duly authorized representative of said AeroAntenna Technology Inc.

AT1675-381