

8 7 6 5 4 3 2 1

REVISIONS			
SYM	DESCRIPTION	DATE	APPROVED
A	RELEASED TO PRODUCTION PER ECO 9250	05/28/10	

NOTES: UNLESS OTHERWISE SPECIFIED.

- 1 LABEL LOCATION
- 2 BUMPER COLOR: BLACK.
- 3. TOLERANCES: .XX ± .03
.XXX ± .010

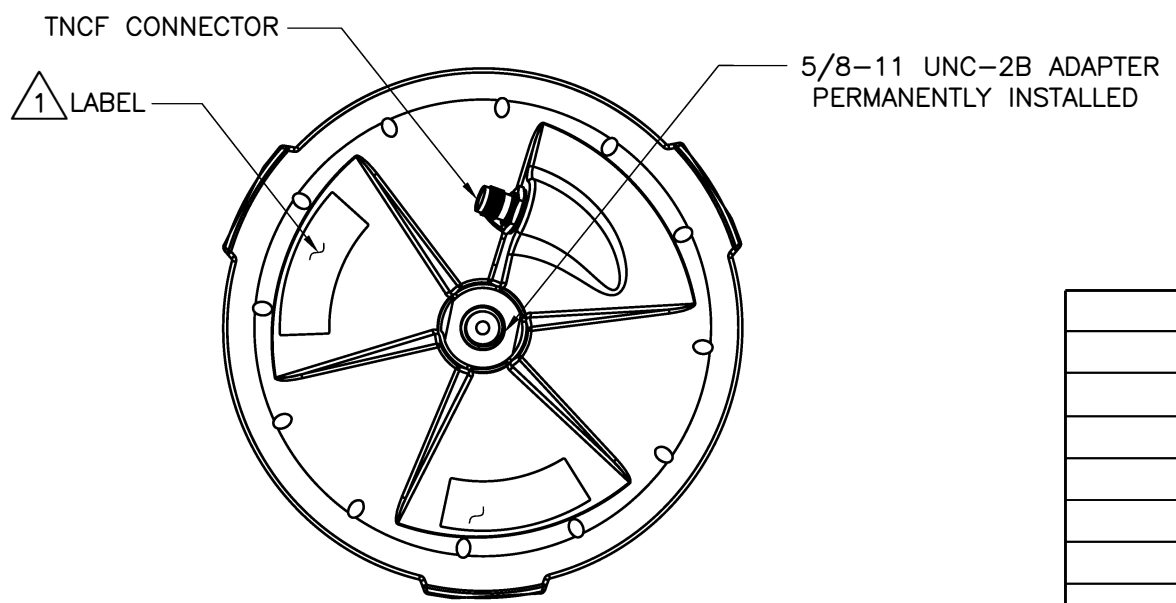
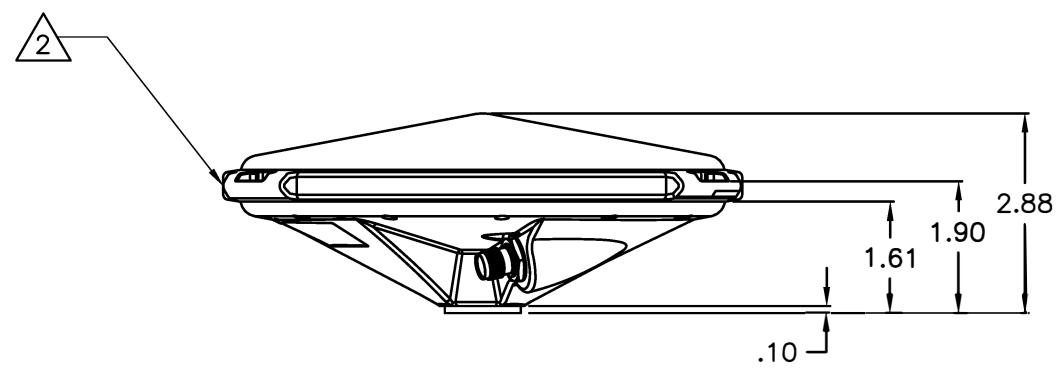
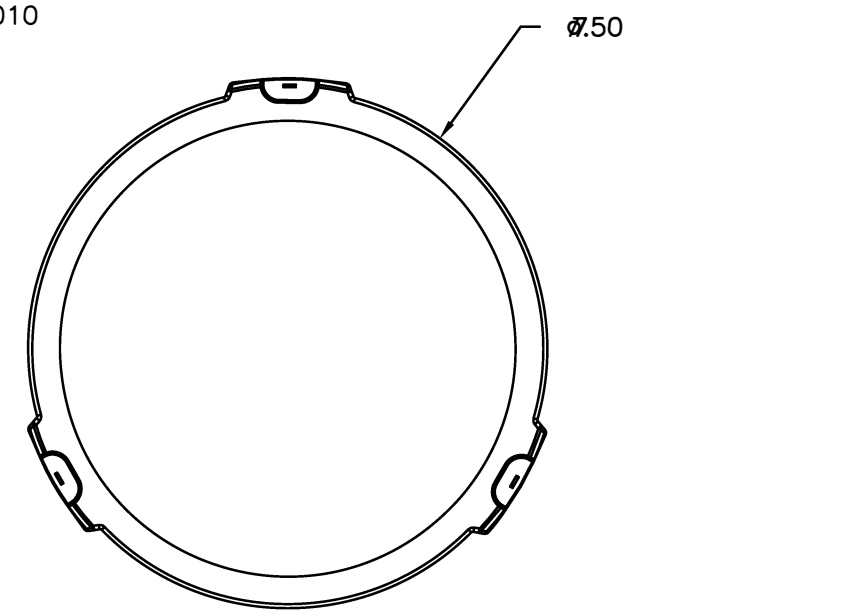
SPECIFICATION:

FREQUENCY: 1565-1615 MHz L1, GLONASS (G1)
 POLARIZATION: RIGHT HAND CIRCULAR
 AXIAL RATIO: 3 dB MAX @ BORESIGHT
 RADIATION COVERAGE: 6.0 dBic 0° = 0°
 -5.0 dBic 0° < θ < 75°
 -6.0 dBic 75° ≤ θ < 80°
 -7.0 dBic 80° ≤ θ < 85°
 -8.0 dBic θ = 90°

AMPLIFIER:
 GAIN: SPECIFY
 NOISE FIGURE: 2.5 dB MAX
 IMPEDANCE: 50 OHMS
 VSWR: ≤2.0:1
 BAND REJECTION: 20 dB @ 250 MHz
 POWER HANDLING: 1 WATT
 FINISH: WEATHERABLE POLYMER
 WEIGHT: 1.0 LBS
 ALTITUDE: 20,000'
 OPERATING TEMP: -40°C TO +70°C



03-9243358 :0קפג ▪ 03-9243352 :70 ▪ ת"פ 7042 .ד.ת.14 םתיא'ת
 www.hypertech.co.il ▪ sales@hypertech.co.il



PART NO. DESIGNATION:

AT1675-339S-XXXX-XXX-XX-XX-XX-X

COLOR
 S = SMOKE GRAY
 RAL 7035

CONNECTOR
 TNCF = TNC FEMALE

CABLE LENGTH
 * 000 = IN INCHES

RoHS
 MAGNET
 NM = NO MAGNET

GAIN (± 2 dB)
 38 = 38 dB (65 mA)

VOLTAGE
 RG = 4.2 TO 15.0 VDC

* = OPTION NOT AVAILABLE WITH THIS MODEL
 STANDARD MODEL= AT1675-339S-TNCF-000-RG-38-NM-R

DO NOT SCALE THIS DRAWING	DRAWN	A. GUTIERREZ	05/28/10
REMOVE BURRS AND BREAK SHARP EDGES:	CHECKED		
PART TO BE CLEAN AND OIL FREE	ENGR	EDUARD N.	06/10/10
ALL DIMENSIONS ARE IN INCHES	MFG	DANNY LEVY	06/10/10
DIMENSIONING & TOLERANCING PER ASME Y14.5M-1994	Q.A.	B. RUBENI	06/10/10
TOLERANCES:	APPROVED	YOUSU Z.	06/16/10
.XX ± .01 FRACT = ±1/32			
.XXX ± .005 ANG. = ±1/2			
✓ SURFACE ROUGHNESS MACHINED PARTS V63 MOLDED PARTS V32	DRAWN IN	CAD	
HOLE DIA.	TOLERANCE		
.0135 - .125	+0.004 -0.001		
.126 - .250	+0.005 -0.001		
.251 - .500	+0.006 -0.001		
.501 - .750	+0.008 -0.001		

AeroAntenna Technology Inc
 AS9100 CERTIFIED CO.

TITLE: L1 GPS + GLONASS ANTENNA

SIZE: B CAGE CODE: OUVG2 DRAWING NO.: AT1675-339 REV: A

SCALE: NONE I:\CAD\AT1675\339\AT1675-339_A SHEET 1 OF 1

PROPRIETARY NOTE: This document contains information of AeroAntenna Technology Inc. (AAT). Neither the document nor said proprietary information shall be published, reproduced, copied, disclosed or used for any other purpose other than consideration of document without the express written permission of a duly authorized representative of said AeroAntenna Technology Inc.

AT1675-339

NEXT ASSY