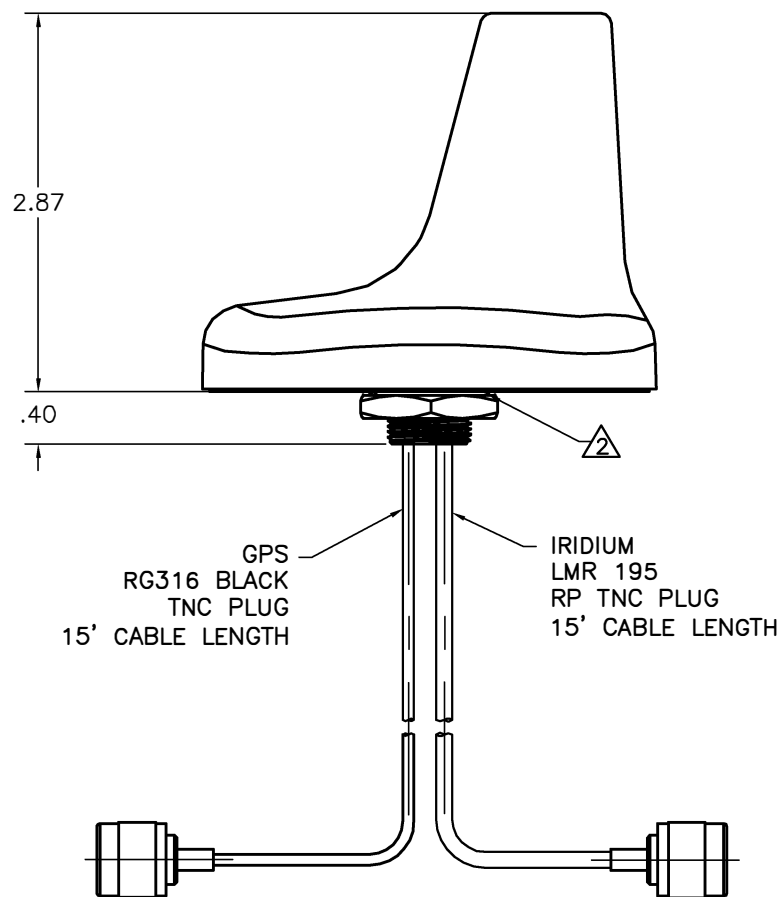
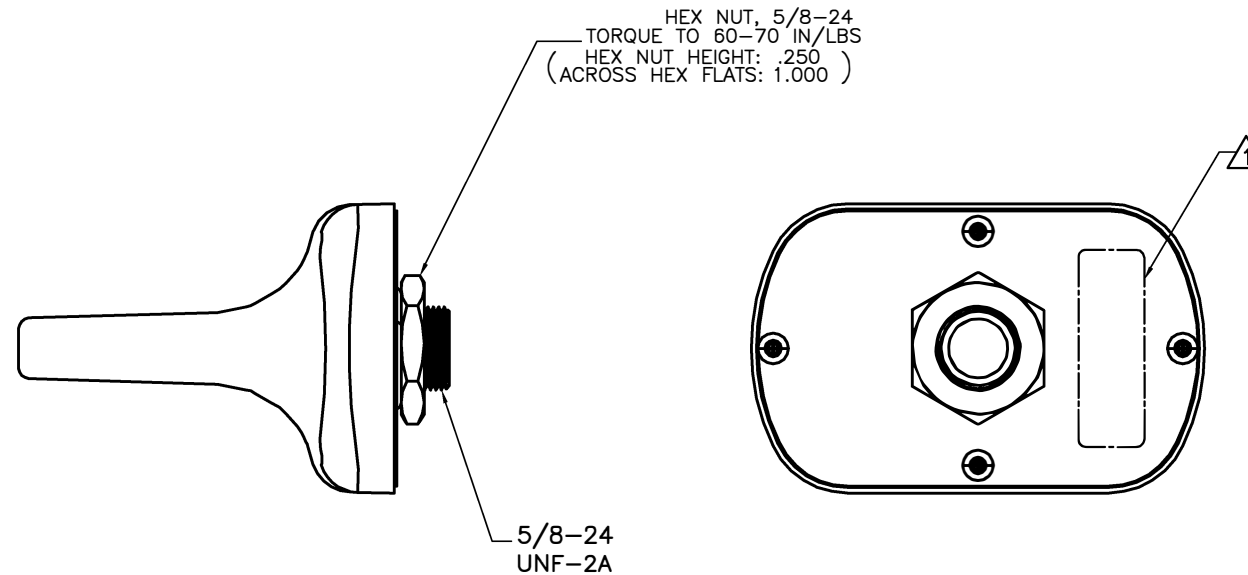
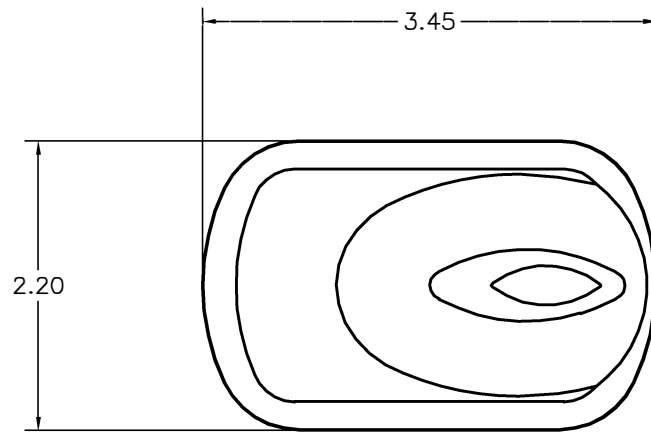


PROPRIETARY NOTICE: This document contains proprietary information of AeroAntenna Technology, Inc. (AAT). Neither the document nor said proprietary information shall be published, reproduced, copied, disclosed or used for any purpose other than consideration of this document without the express written permission of a duly authorized representative of said AeroAntenna Technology, Inc.

REVISIONS			
SYM	DESCRIPTION	DATE	APPROVED
1	ENGINEERING PROPOSAL	02/18/09	

NOTES: UNLESS OTHERWISE SPECIFIED.

- 1 SIZE, SHAPE, AND CONTENTS OF NAME PLATE ARE SUBJECT TO CHANGE WITHOUT NOTICE.
- 2 O-RING SUPPLIED BY AEROANTENNA.
- 3. TOLERANCE: .XX = ±.03  
.XXX = ±.010



SPECIFICATION:

GPS

FREQUENCY: 1575 ±5 MHz  
POLARIZATION: RIGHT HAND CIRCULAR  
AXIAL RATIO: 3 dB MAX @ BORESIGHT  
RADIATION COVERAGE: GPS  
ELEVATION ANGLE: GAIN:  
0° < θ < 10° -7.5 dBic min  
10° < θ < 20° -5.5 dBic min  
20° < θ < 30° -3.5 dBic min  
θ > 30° -2.5 dBic min

AMPLIFIER:  
GAIN: GPS L1: 26 dB  
VOLTAGE: GPS L1: +3.0 VDC  
CABLE LENGTH SPECIFY  
NOISE FIGURE: 2.5 dB MAX  
IMPEDANCE: 50 OHMS  
VSWR: ≤2.0:1

IRIDIUM

FREQUENCY: 1616-1626 MHz  
POLARIZATION: RIGHT HAND CIRCULAR  
AXIAL RATIO: 3 dB MAX @ BORESIGHT  
IMPEDANCE: 50 OHMS  
VSWR: ≤2.0:1

CABLE LENGTH SPECIFY  
POWER HANDLING: 7 WATT  
CONNECTOR: SPECIFY  
OPERATING TEMP: -40°C TO +85°C  
DESIGNED TO: DO-160E

CABLES NOT SHOWN FOR CLARITY

PRELIMINARY

03-9243358 :פקס ▪ 03-9243352 :טל ▪ 7042 פ"ת .ת.ד. 14, אודם 14  
www.hypertech.co.il ▪ sales@hypertech.co.il



DO NOT SCALE THIS DRAWING REMOVE BURRS AND BREAK SHARP EDGES: PART TO BE CLEAN AND OIL FREE		DRAWN V. GRINEVICH 02/18/09	 AS9100 CERTIFIED CO.			
ALL DIMENSIONS ARE IN INCHES DIMENSIONING & TOLERANCING PER ASME Y14.5M-1994 TOLERANCES: -XX ±.01 FRACT = ±1/32 -XXX ±.005 ANG. = ±1/2		CHECKED			TITLE IRIDIUM/GPS L1 ANTENNA	
✓ SURFACE ROUGHNESS MACHINED PARTS V63 MOLDED PARTS V32		ENGR	SIZE B	CAGE CODE OUVG2	DRAWING NO. AT1621-4	REV 1
HOLE DIA. TOLERANCE .0135 - .125 +.004 -.001 .126 - .250 +.005 -.001 .251 - .500 +.006 -.001 .501 - .750 +.008 -.001		APPROVED	SCALE NONE	I:\CAD\AT1621\04\AT1621-4_1		SHEET 1 OF 1
NEXT ASSY		DRAWN IN CAD				