

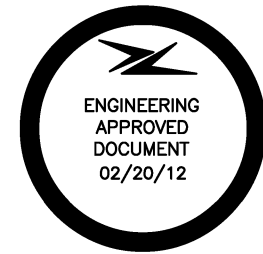
8 7 6 5 4 3 2 1

REVISIONS			
SYM	DESCRIPTION	DATE	APPROVED
4	ENGINEERING RELEASE	01/06/12	

NOTES: UNLESS OTHERWISE SPECIFIED.

1 LABEL SIZE, SHAPE AND CONTENTS SUBJECT TO CHANGE WITHOUT NOTICE.

2. TOLERANCES: .XX = ±.03
.XXX = ±.010



SPECIFICATION:

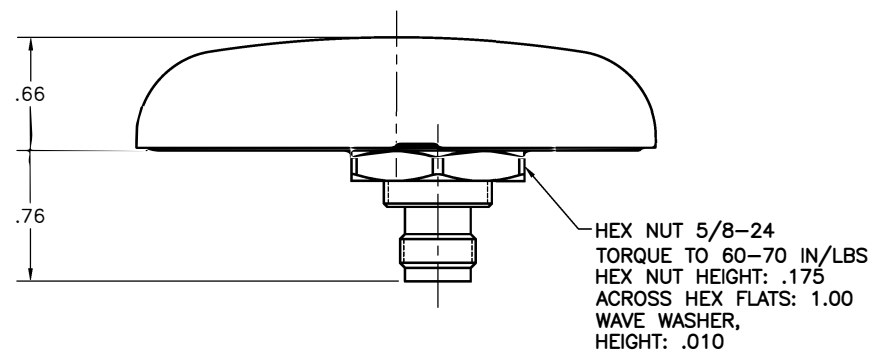
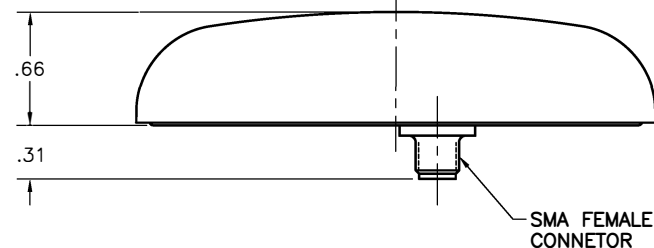
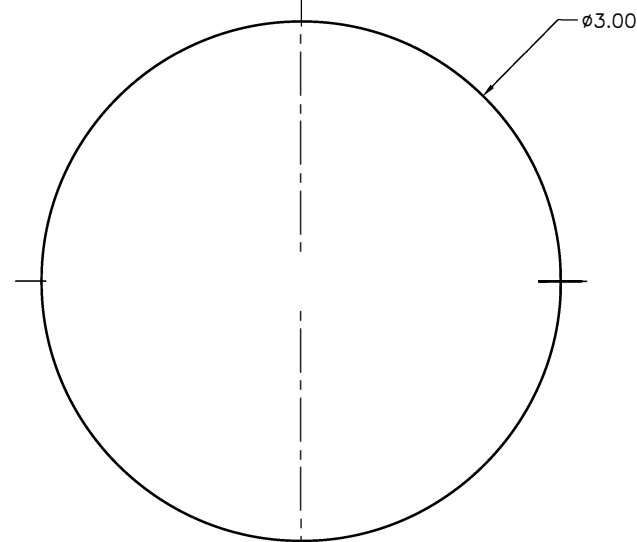
FREQUENCY: 1610-1625.5 MHz
 POLARIZATION: RIGHT HAND CIRCULAR
 AXIAL RATIO: 2.0 dB MAX @ BORESITE
 RADIATION COVERAGE:
 @ 90° (ZENTH): +4.9 dBic
 @ 10° ELEVATION (AVE): -1.0 dBic
 @ 20° ELEVATION (AVE): +1.5 dBic
 @ 30° ELEVATION (AVE): +2.4 dBic
 @ 45° ELEVATION (AVE): +3.3 dBic
 @ 70° ELEVATION (AVE): +4.7 dBic
 IMPEDANCE: 50 OHMS
 VSWR: ≤1.5:1
 POWER HANDLING: 20 WATTS
 WEIGHT: 4.00 OZ.
 MATERIAL: BASE-ALUMINUM ALLOY
 RADOME-HIGH IMPACT XENONY
 ALTITUDE: 20,000'
 OPERATING TEMP: -40°C TO +70°C

PART NO. DESIGNATION:

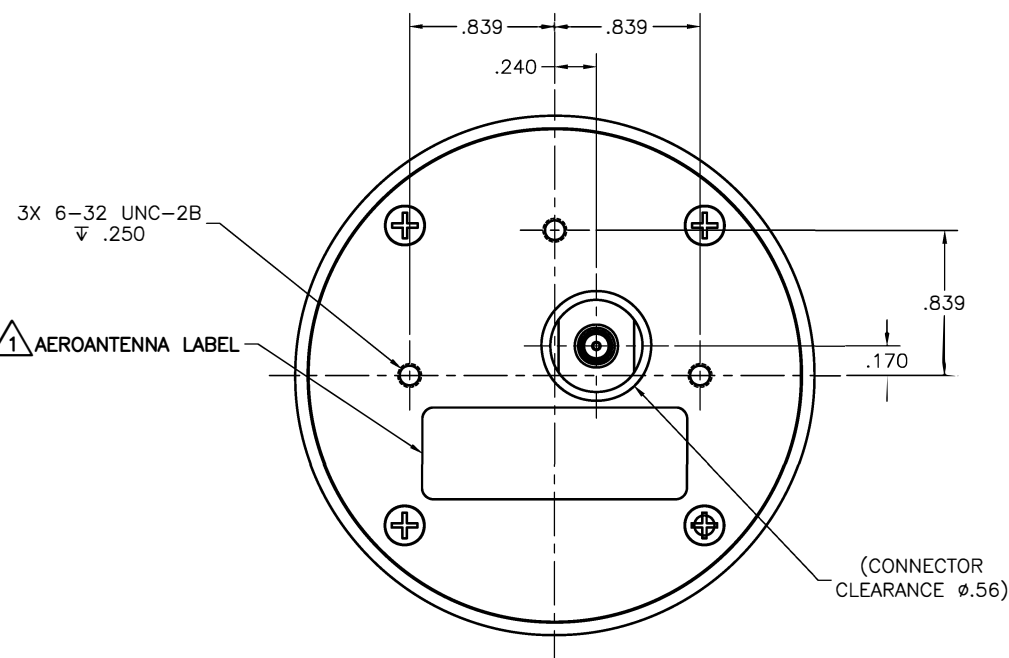
AT1621-209X-XXXX-XXX-XX-XX-XX
 COLOR _____ MAGNET
 W = WHITE NM = NO MAGNET
 CONNECTOR _____ GAIN (± 2 dB)
 SMAF = SMA FEMALE 00 = PASSIVE
 TNCFB = TNC FEMALE BULK HEAD
 CABLE LENGTH _____ VOLTAGE
 000 = 000 INCHES 00 = PASSIVE

* = OPTION NOT AVAILABLE WITH THIS MODEL

STANDARD MODEL= AT1621-209W-SMAF-000-00-00-NM



WITH TNCFB CONNECTOR



DO NOT SCALE THIS DRAWING	DRAWN	A. DEVERA	12/19/11
REMOVE BURRS AND BREAK SHARP EDGES:	CHECKED		
PART TO BE CLEAN AND OIL FREE	ENGR	A. DEVERA	02/20/12
ALL DIMENSIONS ARE IN INCHES	MFG		
DIMENSIONING & TOLERANCING PER ASME Y14.5M-1994	Q.A.		
TOLERANCES:	APPROVED		
XX ±.01 FRACT = ±1/32			
XXX ±.005 ANG. = ±1/2°			
✓ SURFACE ROUGHNESS MACHINED PARTS V63 MOLDED PARTS V32	DRAWN IN	CAD	
HOLE DIA.			
.0135 - .125			
.126 - .250			
.251 - .500			
.501 - .750			

AeroAntenna Technology Inc
AS9100 CERTIFIED CO.

TITLE: IRIDIUM ANTENNA

SIZE	CAGE CODE	DRAWING NO.	REV
B	OUVG2	AT1621-209	4

SCALE: NONE | I:\CAD\AT\ -209\AT1621-209_4 | SHEET 1 OF 1

PROPRIETARY NOTE: This document contains information of AeroAntenna Technology Inc. (AAT). Neither the document nor said proprietary information shall be published, reproduced, copied, disclosed or used for any other purpose other than consideration of document without the express written permission of a duly authorized representative of said AeroAntenna Technology Inc.



03-9243358 :פגפ ▪ 03-9243352 :לול ▪ ת"פ 7042. ת.ד. 14, אודוס'ת ▪ sales@hypertech.co.il ▪ www.hypertech.co.il

AT1621-209

D
C
B
A

D
C
B
A

NEXT ASSY