

REVISIONS			
SYM	DESCRIPTION	DATE	APPROVED
A	PRODUCTION RELEASE PER ECO 9118	02/22/10	

NOTES: UNLESS OTHERWISE SPECIFIED.

- SIZE, SHAPE, AND CONTENTS OF NAME PLATE ARE SUBJECT TO CHANGE WITHOUT NOTICE.
- TOLERANCE: .XX = ±.03  
.XXX = ±.010

AT1621-204B-XXXX-XXX-XX-XX-R  
S/N: 00000 DOW: 00/00



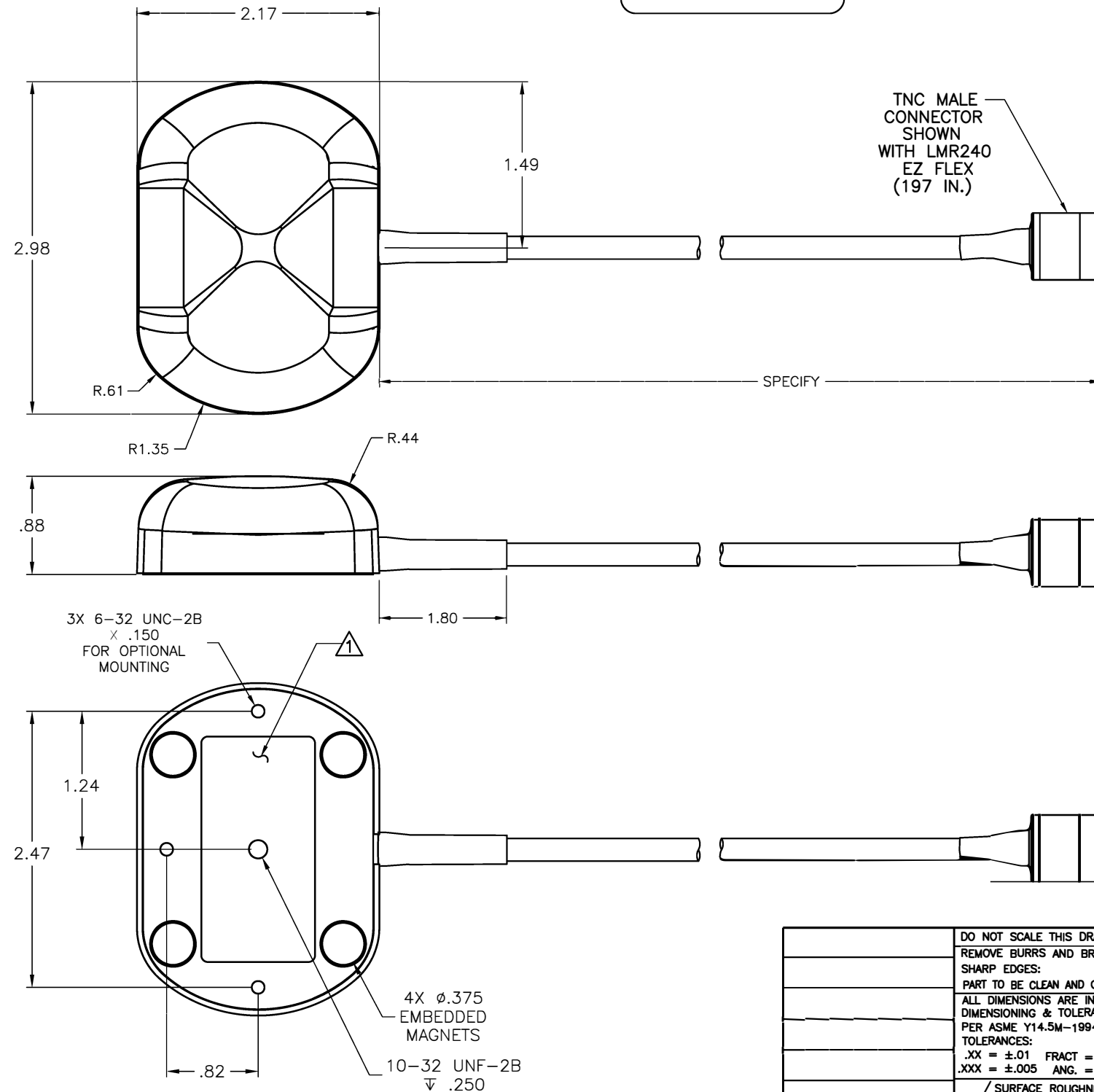
SPECIFICATION:

FREQUENCY: 1616-1626 MHz  
 POLARIZATION: RIGHT HAND CIRCULAR  
 AXIAL RATIO: 3 dB MAX @ BORESIGHT  
 IMPEDANCE: 50 OHMS  
 VSWR: ≤2.0:1  
 WEIGHT: (AS SHOWN) .9 Lbs  
 MATERIAL: RADOME-XENYOY, HIGH IMPACT & TEMP.  
 ALTITUDE: 20,000'  
 OPERATING TEMP: -40°C TO +85°C

PART NO. DESIGNATION:

AT1621-204B-XXXX-XXX-XX-XX-R  
 COLOR B = BLACK  
 CONNECTOR TNCM = TNC MALE, RIGHT ANGLE  
 SMAM = SMA MALE, RIGHT ANGLE  
 \* TNCF = TNC FEMALE  
 \* BNCF = BNC FEMALE  
 \* MCXF = MCX FEMALE  
 ROHS  
 MAGNET \* NM = NO MAGNET, IM = INTERNAL MAGNET  
 GAIN (± 2 db) 00 = PASSIVE  
 VOLTAGE 00 = PASSIVE  
 CABLE LENGTH 000 = IN INCHES

\* = OPTION NOT AVAILABLE WITH THIS MODEL  
 RIGHT ANGLE CONNECTOR ADD "R" TO CONNECTOR NOTATION.  
 STANDARD MODEL= AT1621-204B-TNCM-197-00-00-IM-R



DO NOT SCALE THIS DRAWING	DRAWN	V. GRINEVICH	02/22/10
REMOVE BURRS AND BREAK SHARP EDGES:	CHECKED		
PART TO BE CLEAN AND OIL FREE	ENGR	STEVE VALDES	02/25/10
ALL DIMENSIONS ARE IN INCHES	MFG	DANNY LEVY	02/25/10
DIMENSIONING & TOLERANCING PER ASME Y14.5M-1994	Q.A.	B. RUBENI	02/25/10
TOLERANCES:	APPROVED	YOUSU Z.	02/25/10
.XX = ±.01 FRACT = ±1/32			
.XXX = ±.005 ANG. = ±1/2°			
✓ SURFACE ROUGHNESS MACHINED PARTS V63 MOLDED PARTS V32	DRAWN IN	CAD	
HOLE DIA.	TOLERANCE		
.0135 - .125	+0.04 -.001		
.126 - .250	+0.05 -.001		
.251 - .500	+0.06 -.001		
.501 - .750	+0.08 -.001		

**AeroAntenna Technology Inc**  
AS9100 CERTIFIED CO.

TITLE: IRIDIUM MAGNET MOUNT

SIZE: B CAGE CODE: OUVG2 DRAWING NO.: AT1621-204 REV: A

SCALE: NONE I:\CAD\AT1621\204\AT1621-204\_A SHEET 1 OF 1

03-9243358 :סקפ ▪ 03-9243352 :טל ▪ 7042 .ת.ד. ,14 אודם ,ת.י. ▪ היפרטק מערכות

www.hypertech.co.il ▪ sales@hypertech.co.il



PROPRIETARY NOTE: This document contains information of AeroAntenna Technology Inc. (AAT). Neither the document nor said proprietary information shall be published, reproduced, copied, disclosed or used for any other purpose other than consideration of document without the express written permission of a duly authorized representative of said AeroAntenna Technology Inc.

NEXT ASSY

AT1621-204