

8 7 6 5 4 3 2 1

REVISIONS			
SYM	DESCRIPTION	DATE	APPROVED
A	RELEASE PER ECO 9081	02/02/10	



NOTES: UNLESS OTHERWISE SPECIFIED.
 1. SIZE, SHAPE, AND CONTENTS OF NAME PLATE ARE SUBJECT TO CHANGE WITHOUT NOTICE.
 2. TOLERANCE: .XX = ±.03
 .XXX = ±.010

SPECIFICATION:

FREQUENCY: 1616-1626 MHz
 POLARIZATION: RIGHT HAND CIRCULAR
 AXIAL RATIO: 3 dB MAX @ BORESIGHT
 RADIATION COVERAGE: TBD
 IMPEDANCE: 50 OHMS
 VSWR: ≤2.0:1
 WEIGHT: TBD
 MATERIAL: RADOME-XENOY, HIGH IMPACT & TEMP.
 ALTITUDE: 20,000'
 OPERATING TEMP: -40°C TO +85°C

PART NO. DESIGNATION:

AT1621-203B-XXXX-XXX-XX-XX-XX-R

COLOR B = BLACK ROHS

CONNECTOR
 TNCM = TNC MALE
 * TNCF = TNC FEMALE
 BNCM = BNC MALE
 * BNCF = BNC FEMALE
 MCXM = MCX MALE
 * MCXF = MCX FEMALE
 SMAM = SMA MALE
 * SMAF = SMA FEMALE
 * NTPM = N TYPE MALE
 * NTPF = N TYPE FEMALE
 * 0000 = NO TERMINATION

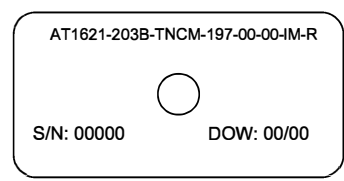
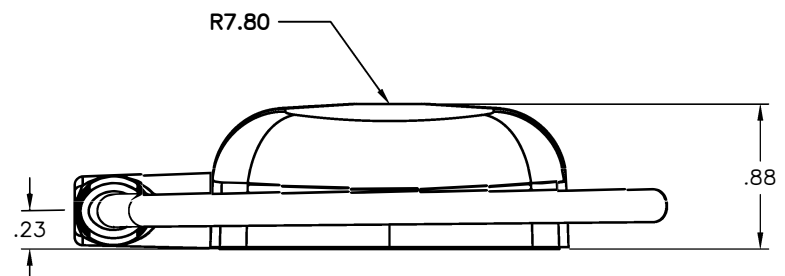
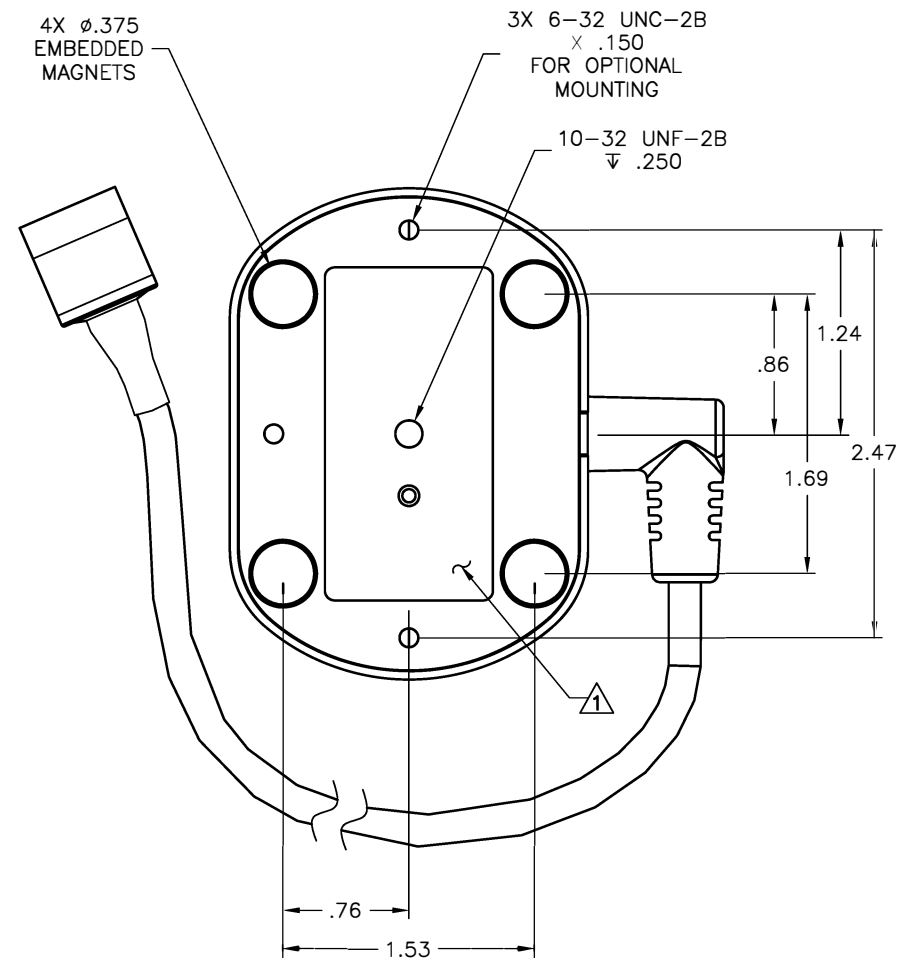
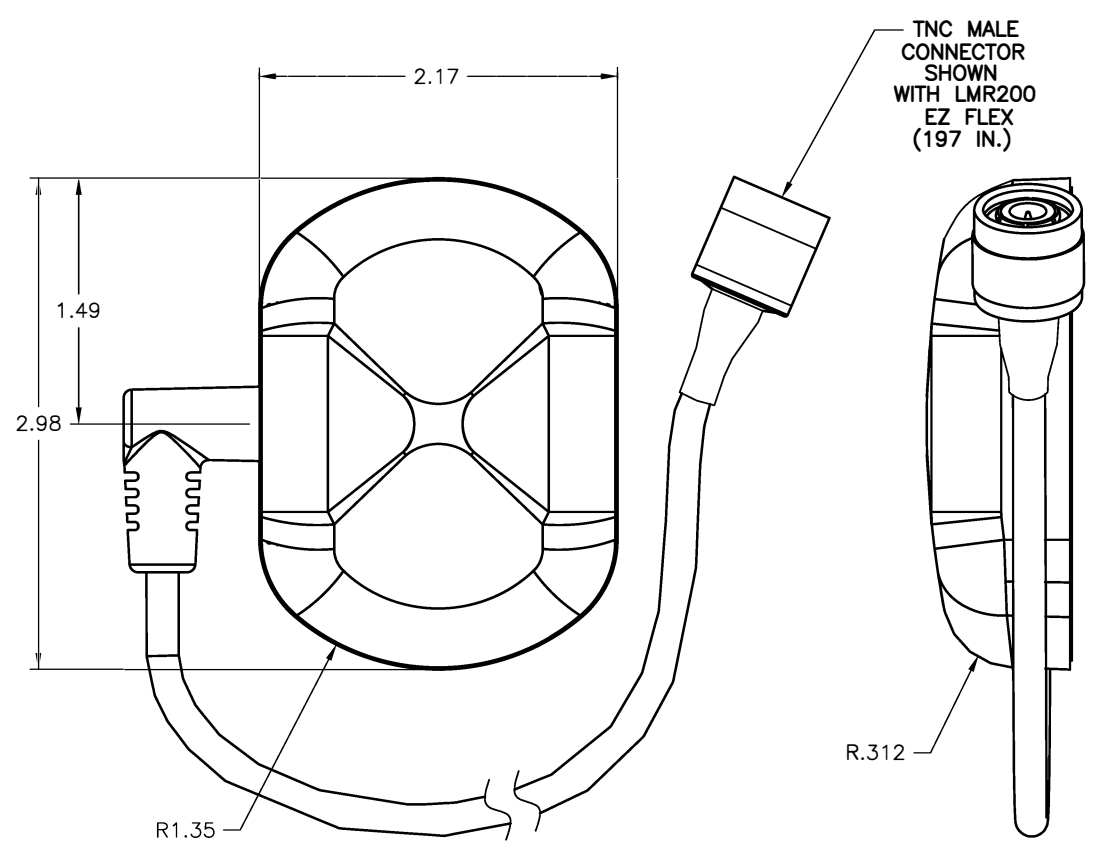
MAGNET
 * NM = NO MAGNET
 IM = INTERNAL MAGNET

GAIN (± 2 db)
 00 = PASSIVE

VOLTAGE
 00 = PASSIVE

CABLE LENGTH
 000 = IN INCHES

* = OPTION NOT AVAILABLE WITH THIS MODEL
 RIGHT ANGLE CONNECTOR ADD "R" TO CONNECTOR NOTATION.
 STANDARD MODEL= AT1621-203B-TNCM-197-00-00-IM-R



היפר-טק מערכות

רח' אודם 14, ת.ד. 7042 פ"ת ▪
 טל: 03-9243352 ▪ פקס: 03-9243358
 www.hypertech.co.il ▪ sales@hypertech.co.il

DO NOT SCALE THIS DRAWING REMOVE BURRS AND BREAK SHARP EDGES: PART TO BE CLEAN AND OIL FREE ALL DIMENSIONS ARE IN INCHES DIMENSIONING & TOLERANCING PER ASME Y14.5M-1994 TOLERANCES: .XX = ±.01 FRACT = ±1/32 .XXX = ±.005 ANG. = ±1/2°	DRAWN AARON GUTIERREZ 01/07/10
✓ SURFACE ROUGHNESS MACHINED PARTS V63 MOLDED PARTS V32	CHECKED
HOLE DIA. TOLERANCE .0135 - .125 +.004 -.001 .126 - .250 ±.005 -.001 .251 - .500 +.006 -.001 .501 - .750 +.008 -.001	ENGR STEVE VALDES 02/02/10
	MFG DANNY LEVY 02/04/10
	Q.A. BENJAMIN RUBENI 02/04/10
	APPROVED YOUSU ZADEH 02/04/10
NEXT ASSY	DRAWN IN CAD

AeroAntenna Technology Inc
 AS9100 CERTIFIED CO.

TITLE
 IRIDIUM MAGNET MOUNT

SIZE B	CAGE CODE OUVG2	DRAWING NO. AT1621-203	REV A
-----------	--------------------	---------------------------	----------

SCALE NONE I:\CAD\AT1621\203\AT1621-203_A SHEET 1 OF 1

PROPRIETARY NOTE: This document contains information of AeroAntenna Technology Inc. (AAT). Neither the document nor said proprietary information shall be published, reproduced, copied, disclosed or used for any other purpose other than consideration of document without the express written permission of a duly authorized representative of said AeroAntenna Technology Inc.

AT1621-203