

8 7 6 5 4 3 2 1

REVISIONS			
SYM	DESCRIPTION	DATE	APPROVED
A	PROJCT TIND RELEASE PER EC 0 934	01/04/11	

NOTES: UNLESS OTHERWISE SPECIFIED.  
 1. LABEL LOCATED APPROXIMATELY WHERE SHOWN.  
 2. TOLERANCE: .XX = ±.03  
 .XXX = ±.010

**SPECIFICATION:**

**FREQUENCY:**  
 1518.0 to 1525.0 MHz Inmarsat Receive (extended)  
 1525.0 to 1559.0 MHz Inmarsat Receive (operational)  
 1575.42 ± 10.25 MHz (GPS L1)  
 1626.5 to 1660.5 MHz Inmarsat Transmit (operational)  
 1668.0 to 1675.0 MHz Inmarsat Transmit (extended)

**POLARIZATION:** RIGHT HAND CIRCULAR

**LIGHTNING PROTECTION:** DC GROUNDED

**IMPEDANCE:** 50 Ω

**AXIAL RATIO:** ≤ 4 dB, 0° ≤ θ ≤ 85° (operational band)  
 ≤ 6 dB, 0° ≤ θ ≤ 85° (extended band)

**CONNECTOR(S):** INMARSAT RX/TX = SMAF  
 GPS = SMAF

**WEIGHT:** 1.91 LBS MAX.

**OPERATING TEMP:** -25°C to +55°C

**DESIGNED TO:** INMARSAT RFI 1401

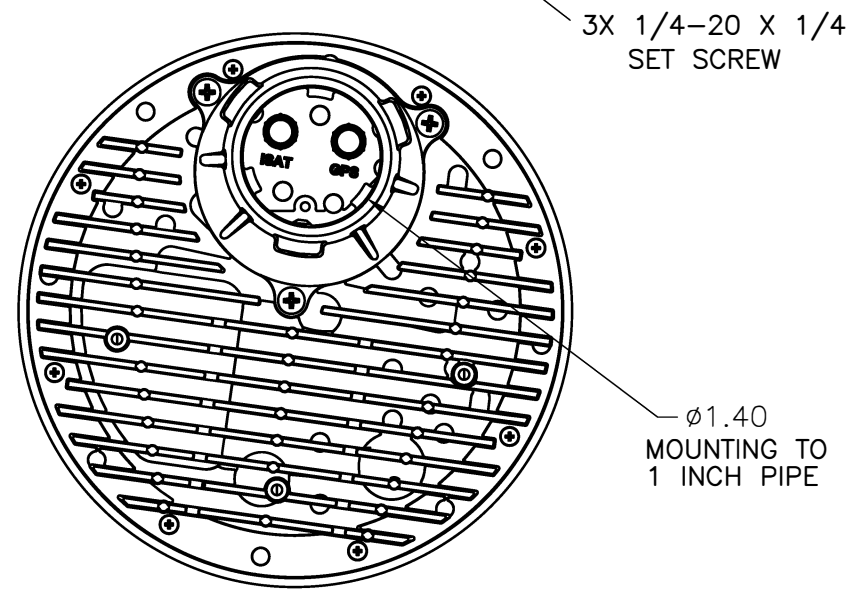
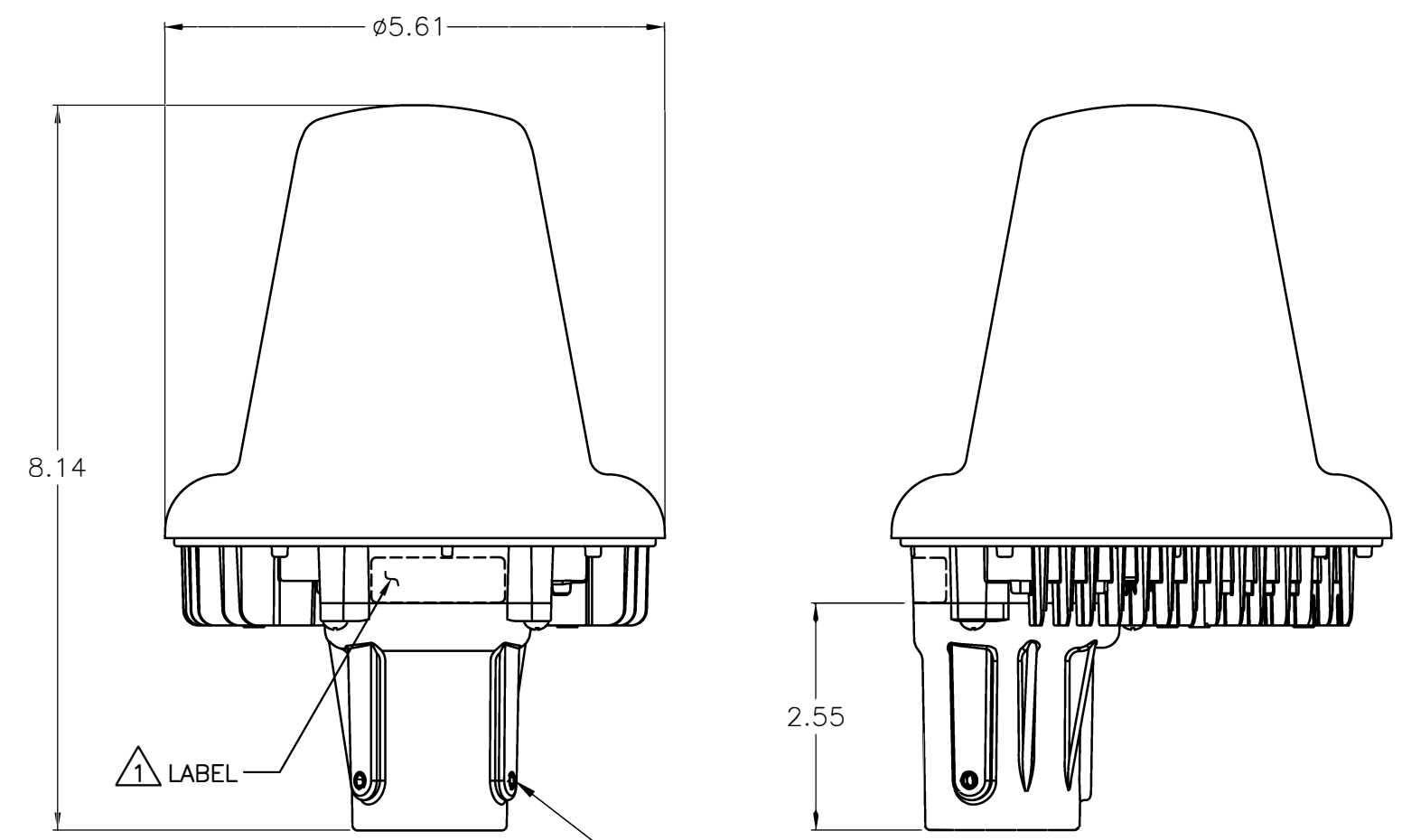
**FCC ID:** YP9AT1595

**IC:** 9218A-AT1595

**CANADA:** 310



THIS DEVICE COMPLIES WITH PART 15 OF THE FCC RULES. OPERATION IS SUBJECT TO THE FOLLOWING TWO CONDITIONS:  
 (1) THIS DEVICE MAY NOT CAUSE HARMFUL INTERFERENCE, AND  
 (2) THIS DEVICE MUST ACCEPT ANY INTERFERENCE RECEIVED, INCLUDING INTERFERENCE THAT MAY CAUSE UNDESIRE OPERATION.



DO NOT SCALE THIS DRAWING	DRAWN	A. GUTIERREZ	09/23/10
REMOVE BURRS AND BREAK SHARP EDGES:	CHECKED	I. SIROITIN	09/23/10
PART TO BE CLEAN AND OIL FREE	ENGR	E. NABOYSHCHIKOV	09/23/10
ALL DIMENSIONS ARE IN INCHES DIMENSIONING & TOLERANCING PER ASME Y14.5M-1994	MFG	DANNY LEVY	02/24/11
TOLERANCES:	Q.A.	B. RUBENI	02/24/11
∅X ±.01 FRACT = ±1/32	APPROVED	YOUSI ZADEH	02/25/11
∅X ±.005 ANG. = ±1/2			
✓ SURFACE ROUGHNESS MACHINED PARTS V63 MOLDED PARTS V32	DRAWN IN	CAD	
HOLE DIA.	TOLERANCE		
.0135 - .125	+004 -.001		
.126 - .250	+005 -.001		
.251 - .500	+006 -.001		
.501 - .750	+008 -.001		

**AeroAntenna Technology Inc**  
 AS9100 CERTIFIED CO.

**TITLE** INMARSAT/GPS RoHS, MARINE ANTENNA

**SIZE** B **CAGE CODE** OUVG2 **DRAWING NO.** AT1595-82-R **REV** A

**SCALE** NONE **FILE** I:\CAD\AT1595\82\AT1595-82-R\_A **SHEET** 1 OF 1



03-9243358 :079 ▪ 03-9243352 :70 ▪ ת.ד. 7042 פ"ת ▪ מ' אודם 14, ת.י. 7042 פ"ת ▪ sales@hypertech.co.il ▪ www.hypertech.co.il

PROPRIETARY NOTE: This document contains information of AeroAntenna Technology Inc. (AAT). Neither the document nor said proprietary information shall be published, reproduced, copied, disclosed or used for any other purpose other than consideration of document without the express written permission of a duly authorized representative of said AeroAntenna Technology Inc.

AT1595-82-R

A